

1 2 3 4 5 6 7 8

F

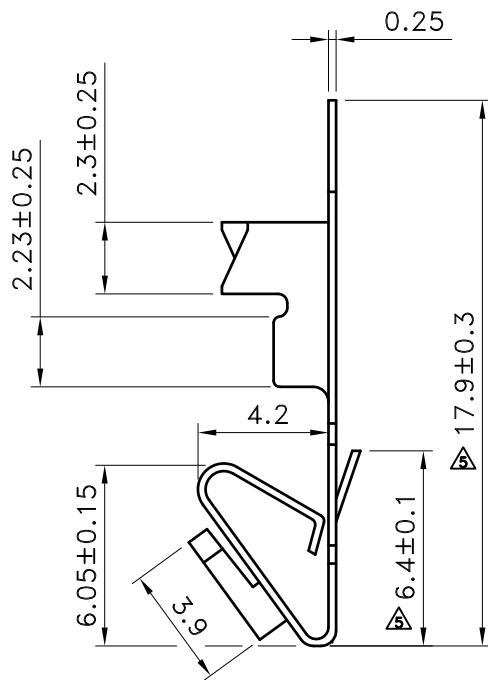
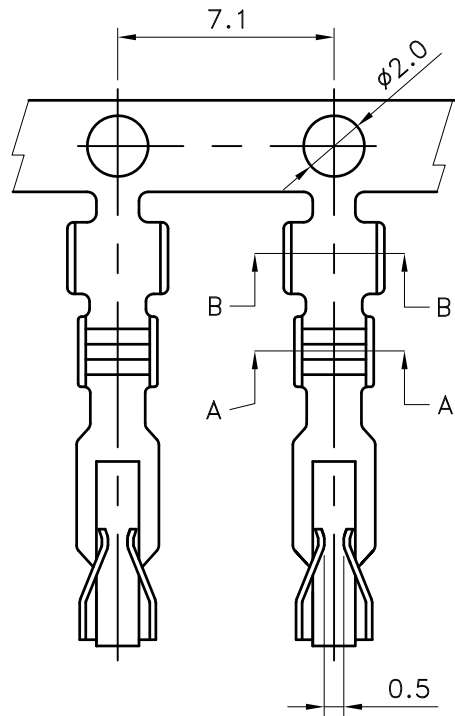
E

D

C

B

A

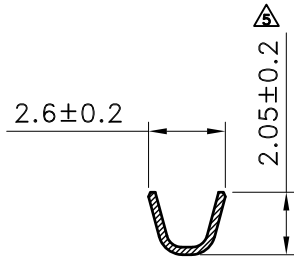
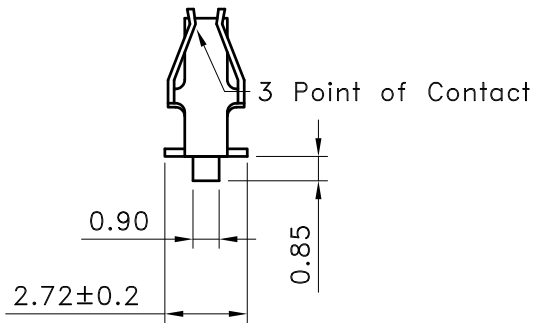


■ SPECIFICATIONS

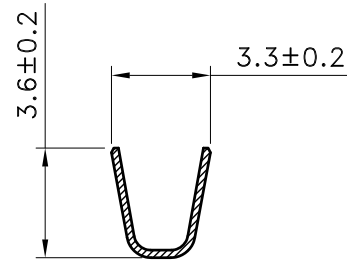
- Voltage Rating : 250V AC/DC
- Current Rating : 7A AC/DC
- Withstanding Voltage : 1,500V AC/minute
- Insulation Resistance : 1,000MΩ min
- Temperature Range : - 25°C to + 85°C
- Contact Resistance : 20mΩ max

■ TERMINAL

- Part No. : 2WT5001-TPA
- Applicate Wires : AWG# 18 - 24
- Material : Brass
- Finish : (Stamping before Sn 80~100u" over Plated. Nickel 10~15u" under all over)
- Thickness : 0.25mm
- Q' ty : 7,000 pcs./Reel



A-A SEC



B-B SEC

TOLERANCE	LTR	REVISION RECORD	NAME	DATE	LTR	REVISION RECORD	NAME	DATE
.0	±0.30	1 XXXX	XXX	XXXX/XX/XX	8			
.00	±0.20	2 ECR RoHS compliant	黄科源	2009/07/24	9			
.000	±0.10	3 ECR 200909-009	黄科源	2009/09/29	10			
ANGLE		4 電気規格修正	吴弘文	2013/09/03	CUSTOMER			
0°	±1°	5 correct dimension	Erin	2016/10/11				
.0°	±	6						
SHEET	1/1	7			Conforms to The RoHS Instruction			

Singatron Enterprise Co., Ltd.

TITLE	3.96mm Crimp Style Connectors Terminal			
DWN	Tom Shih	PART NO.	2WT5001-TPA	
CHKD	2016/10/11	SCALE	1:1	UNIT: mm
APVD	Erin	SIZE:	A3	SHEET: 1 OF 1 REV: a5

CUSTOMER COPY

1 2 3 4 5 6 7 8