

1 2 3 4 5 6 7 8

F

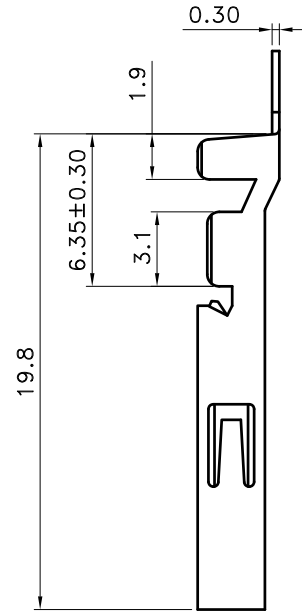
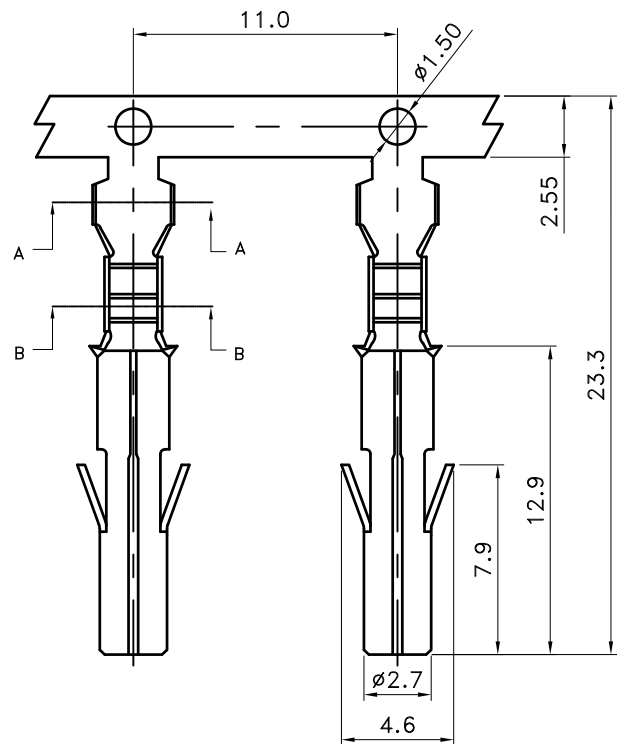
E

D

C

B

A

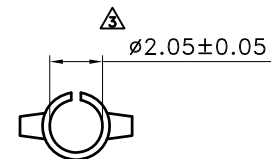
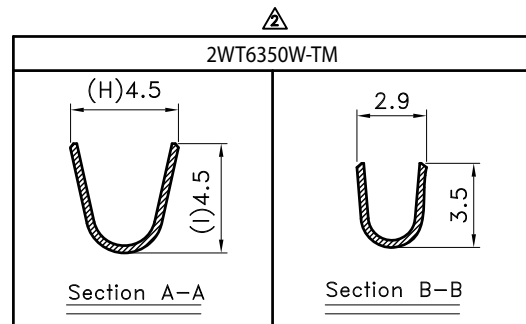
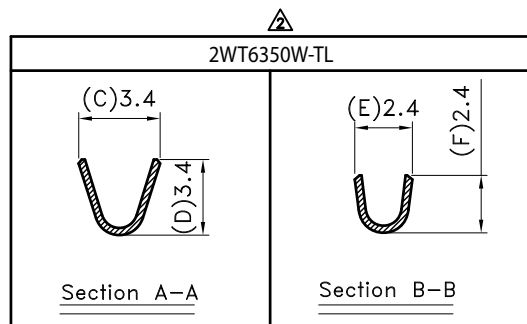


■ SPECIFICATIONS

- ▲ Voltage Rating 600 :V AC/DC
- Current Rating: 2~5 Circuit 12A AC/DC  
6~15 Circuit 9A AC/DC
- Withstanding Voltage : 2,900V AC/minute
- Insulation Resistance : 1,000MΩ min
- Temperature Range : - 25°C to + 85°C
- Contact Resistance : 20mΩ max

■ TERMINAL

- Part No. :  
▲ 2WT6350W-TX
  - TL : Low Crimp, Brass
  - TM : Middle Crimp, Brass
- Applicable Wires:
  - 1. TL : AWG# 18 ~ 22
  - 2. TM : AWG# 16 ~ 20
- Material :Refer the above narrative
- Plated : Tin Plated
- Thickness : 0.30mm
- ▲ Mating Housing : JS-6350W-XX JS-6350H-XX
- Q' ty: 5,000 pcs./Reel



TOLERANCE	LTR	REVISION RECORD	NAME	DATE	LTR	REVISION RECORD	NAME	DATE
.0	±0.30	▲ RoHS compliant	林 暉	06/04/01	▲			
.00	±0.20	▲ ECR 201101-002 TL & TM 合併圖面 修改尺寸	劉怡萱	11/03/17	▲			
.000	±0.10	▲ 因產品需求特修訂公差上下限&尺寸	劉怡萱	11/04/25	▲			
ANGLE		▲ 修改物性表	張逸維	12/11/20	▲			
0°	±1°							
.0°	±							
SHEET	1/1							

Singatron Enterprise Co., Ltd.

TITLE	ø2.13mm Power Connector Female Terminal			
DWN	張逸維	PART NO.	2WT6350W-TX	
CHKD	黃科源	SCALE	1:1	UNIT: mm
APVD	張育瑞	SIZE:	A3	SHEET: 1 OF 1
		REV:	a4	
CUSTOMER COPY				

CUSTOMER  
Conforms to The RoHS Instruction

1 2 3 4 5 6 7 8

