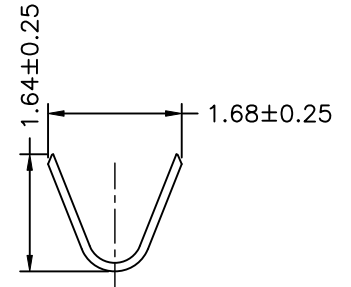
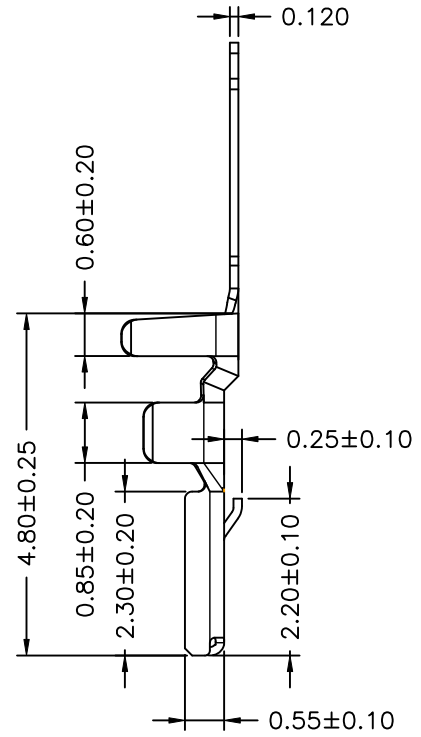
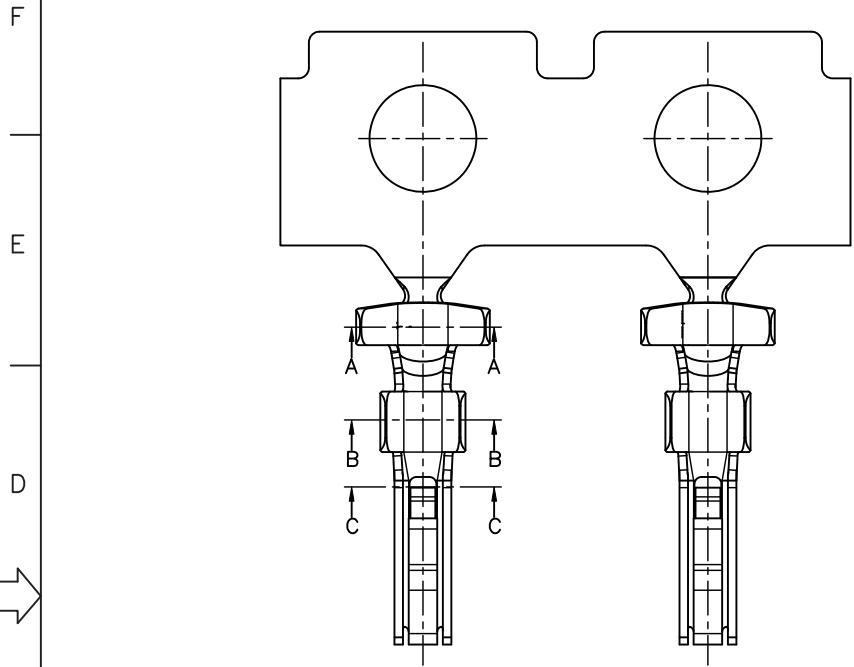
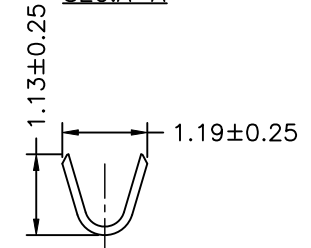


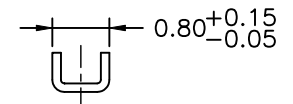
1 2 3 4 5 6 7 8



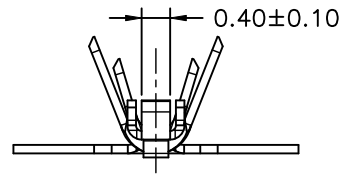
SEC:A-A



SEC:B-B



SEC:C-C



Ordering Information & Specifications

Part No.	Wire Range	Insulation O.D.	Material	Finish	Q'ty/Reel
2WTA12514-TPE	AWG#26-#30	1.00mm(max)	Phosphor Bronze	Tin-plated	15,000pcs

Note:E-Stamping before Tin-plated

REV.	DESCRIPTION	DATE	NAME	GENERAL TOLERANCE	ANGLE±
A0	NEW RELEASE	2019.11.21	焦秋蘭	X. X±0.25 X. XX±0.15 X. XXX±0.05	▽ ⊕

Singatron Enterprise Co., Ltd.				
TITLE	CRIMP TERMINAL			
DWN	焦秋蘭	PART NO. 2WTA12514-TPE		
CHKD	2019.09.20	SCALE 1:1	UNIT: mm	⊕ ⊕
APVD	謝瑞清	SIZE: A3	SHEET: 1 OF 1	REV: A0
<b>CUSTOMER COPY</b>				

1 2 3 4 5 6 7 8