

1 2 3 4 5 6 7 8

F

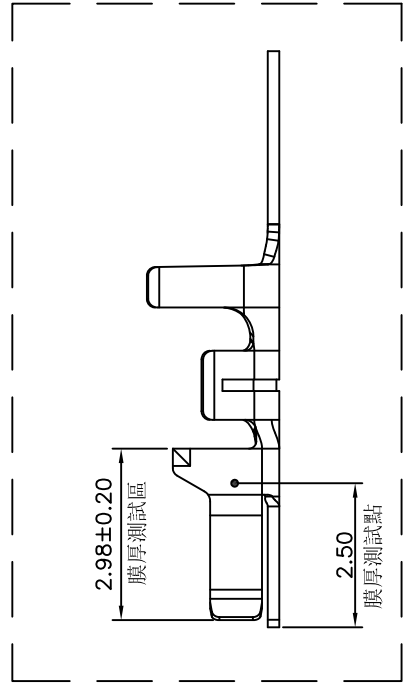
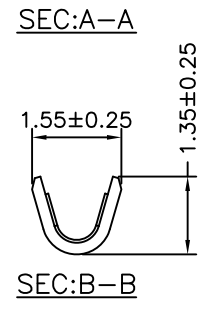
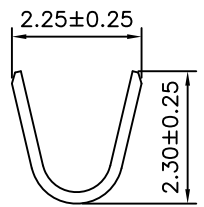
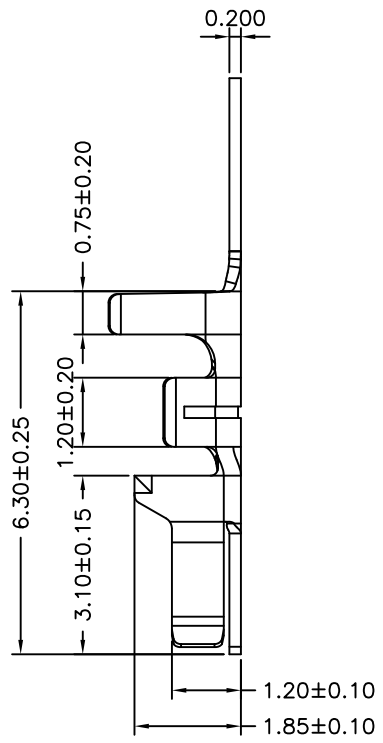
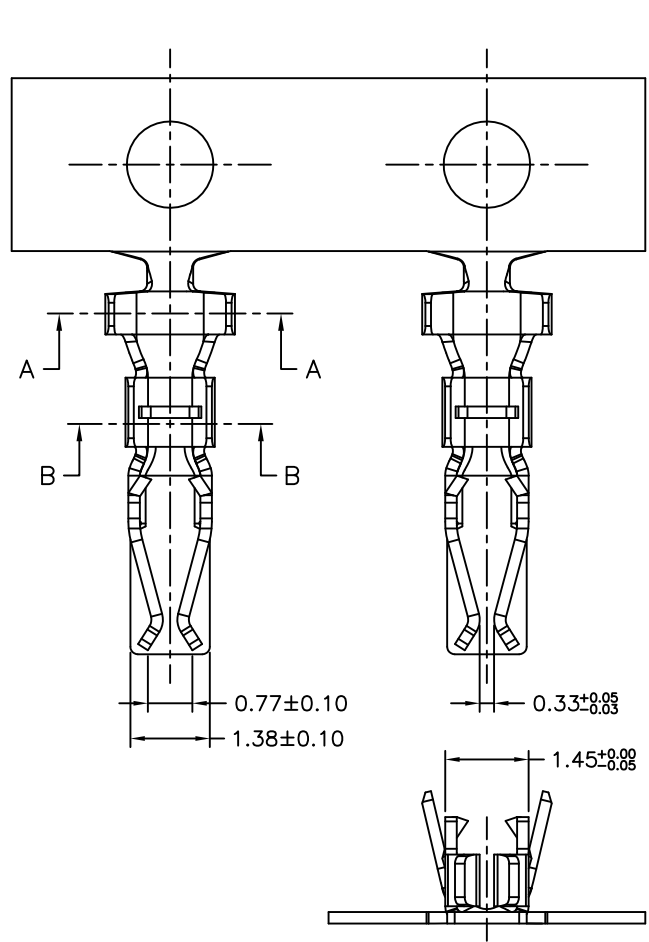
E

D

C

B

A



膜厚測試區示意圖

Ordering Information & Specifications

Part No.	Wire Range	Insulation O.D.	Material	Finish	Q'ty/Reel
2WTA2211-TPE-A	AWG#24-#30	1.45mm(max)	Phosphor Bronze	Tin-plated 80~120u" over Nickel-plated 30~50u"	10,000pcs
2WTA2211-GPE-A	AWG#24-#30	1.45mm(max)	Phosphor Bronze	Gold-plated 1u" over Nickel-plated 30~50u"	10,000pcs

GENERAL TOLERANCE	
X.X ± 0.25	
X.XX ± 0.15	
X.XXX ± 0.05	

REV.	DESCRIPTION	DATE	NAME
X0	NEW RELEASE	2021.10.06	臧威

<b>Singatron Enterprise Co., Ltd.</b>			
TITLE	2.00mm PITCH CRIMP TERMINAL		
DWN	徐富永	PART NO.	2WTA2211-XX-A
CHKD	2021.10.06	SCALE 1:1	UNIT: mm
APVD		SIZE: A3	SHEET: 1 OF 1 REV: X0
<b>CUSTOMER COPY</b>			

1 2 3 4 5 6 7 8