

1 2 3 4 5 6 7 8

F

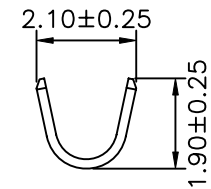
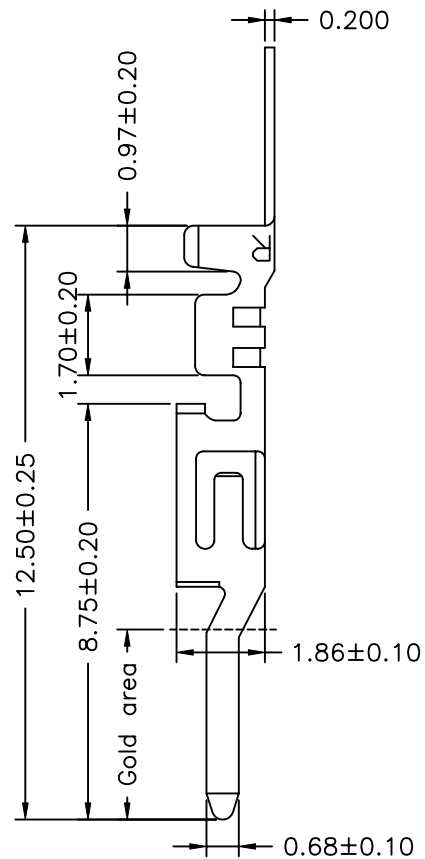
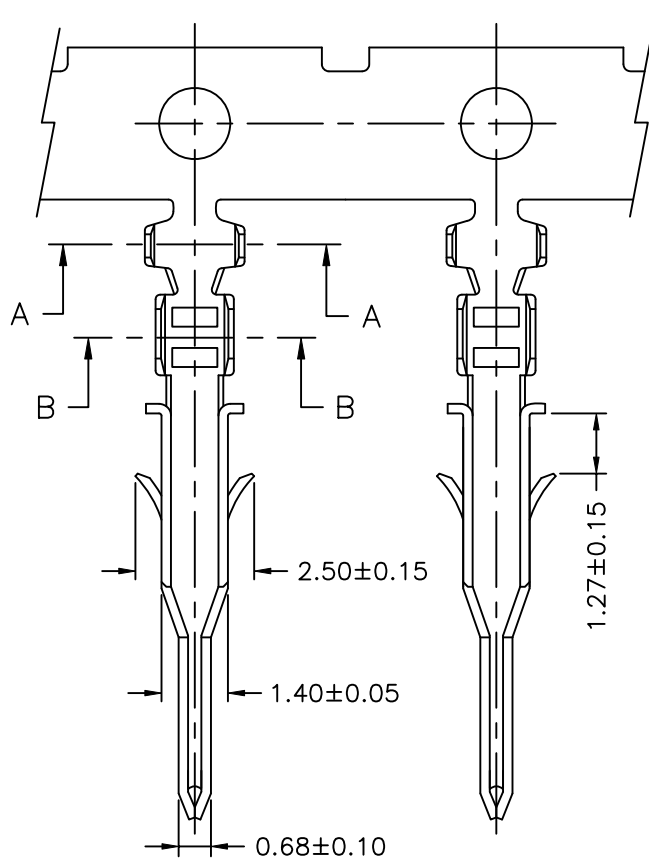
E

D

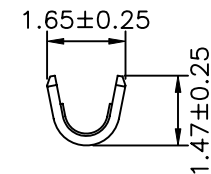
C

B

A



SEC:A-A



SEC:B-B

Ordering Information & Specifications

PART NO.	Wire Range	Insulation O.D.	Material	Finish	Qty/reel
2WTC3030M-TPE-L	AWG#26-#30	1.27mm(max)	Phosphor Bronze	Tin-plated	15,000pcs
2WTC3030M-HPE-L	AWG#26-#30	1.27mm(max)	Phosphor Bronze	Gold-flash	15,000pcs

Note:E-Stamping before Tin-plated or Gold-plated

Singatron Enterprise Co., Ltd.

TITLE	3.00mm PITCH CRIMP TERMINAL-MALE, MICRO-FIT		
DWN	郭木思	PART NO.	2WTC3030M-XX-L
CHKD	2015.11.09	SCALE 1:1	UNIT: mm
APVD	陳彥兆	SIZE: A3	SHEET: 1 OF 1 REV: A0

CUSTOMER COPY

REV.	DESCRIPTION	DATE	NAME	GENERAL TOLERANCE	ANGLE±
A0	NEW RELEASE	2015.11.09	郭木思	X. X±0.25	▽
				X. XX±0.15	◎
				X. XXX±0.05	

1 2 3 4 5 6 7 8