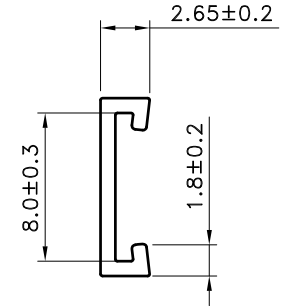
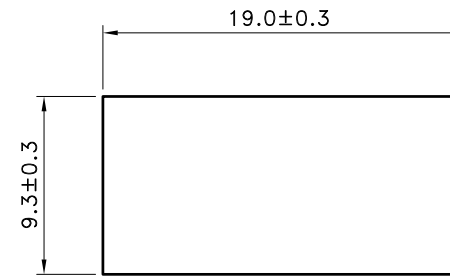
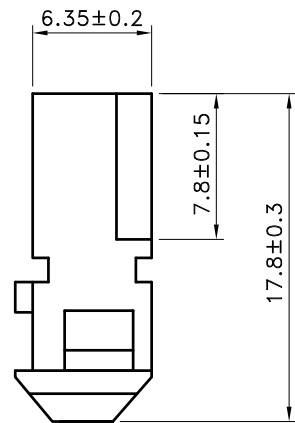
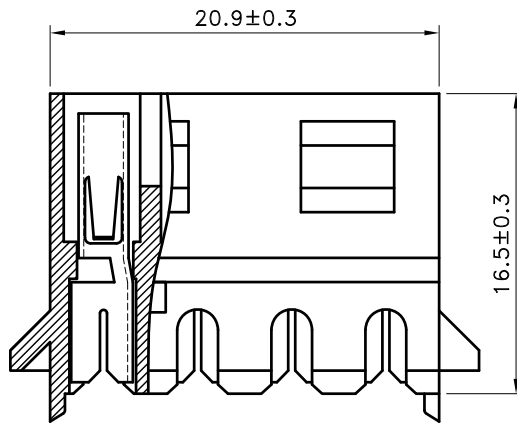


■ SPECIFICATIONS

- Voltage Rating : 250V AC/DC
- Current Rating : 7A AC/DC
- Withstanding Voltage : 1,500V AC/minute
- Insulation Resistance : 1,000MΩ min
- Temperature Range : - 25°C to + 85°C
- Contact Resistance : 20mΩ max

■ PLUG HOUSING

- Part No. : 2WW1114-04HI
- Poles : 4
- Material : Contact : Brass, or Phos. Bronze
Base : Nylon 66 UL94V-2
- Finish : Tin Plated
- Q' ty : 1,000 pcs./Bag



| TOLERANCE | | LTR | REVISION RECORD | DATE | LTR | REVISION RECORD | DATE |
|----------------------------------|------|-----|-----------------|----------|----------|-----------------|------|
| .0 | ±0.3 | ECR | RoHS Compliant | 06/04/01 | | | |
| .00 | ±0.2 | ECR | DG200612-008 | 06/12/22 | | | |
| .000 | ±0.1 | ECR | 200904-003 | 09/04/02 | | | |
| ALL | ± | | | | CUSTOMER | | |
| ANGLE | | | | | | | |
| 0° | ± | | | | | | |
| .0° | ± | | | | | | |
| Conforms to The RoHS Instruction | | | | | | | |

Singatron Enterprise Co., Ltd.

| | | | | |
|-------|---|-----------|---------------|---------|
| TITLE | 5.08mm Disk Drive Power Connectors Plug Housing | | | |
| DWN | 曾慶根 | PART NO. | 2WW1114-04HI | |
| CHKD | 周家慶 | SCALE 1:1 | UNIT: mm | ☉ ↻ |
| APVD | 張育瑞 | SIZE: A3 | SHEET: 1 OF 1 | REV: a3 |

CUSTOMER COPY