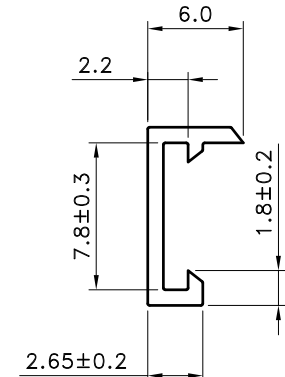
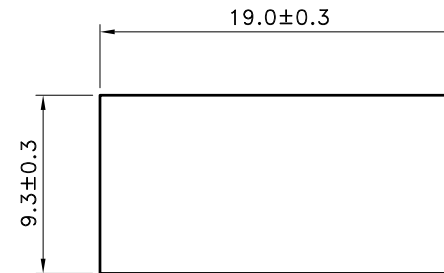
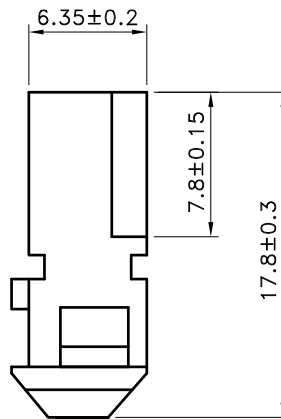
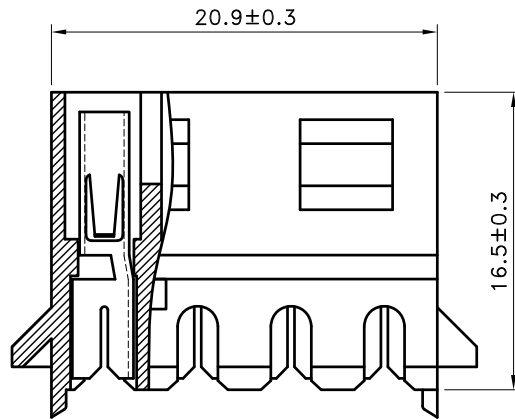


**■ SPECIFICATIONS**

- Voltage Rating : 250V AC/DC
- Current Rating : 7A AC/DC
- Withstanding Voltage : 1,500V AC/minute
- Insulation Resistance : 1,000MΩ min
- Temperature Range : - 25°C to + 85°C
- Contact Resistance : 20mΩ max

**■ PLUG HOUSING**

- Part No. : 2WW1114-04HL
- Poles : 4
- Material : Contact : Brass, or Phos. Bronze  
Base : Nylon 66 UL94V-2
- Finish : Tin Plated
- Q' ty : 1,000 pcs./Bag



TOLERANCE		LTR	REVISION RECORD	DATE	LTR	REVISION RECORD	DATE
.0	±0.3	ECR	RoHS Compliant	06/04/01			
.00	±0.2	ECR	200904-003	09/04/02			
.000	±0.1						
ALL	±						
ANGLE							
0°	±						
.0°	±						

Singatron Enterprise Co., Ltd.

TITLE	5.08mm Disk Drive Power Connectors Plug Housing			
DWN	曾慶根	PART NO.	2WW1114-04HL	
CHKD	周家慶	SCALE	1:1	UNIT: mm
APVD	張育瑞	SIZE: A3	SHEET: 1 OF 1	REV: a2

Conforms to The RoHS Instruction

CUSTOMER COPY