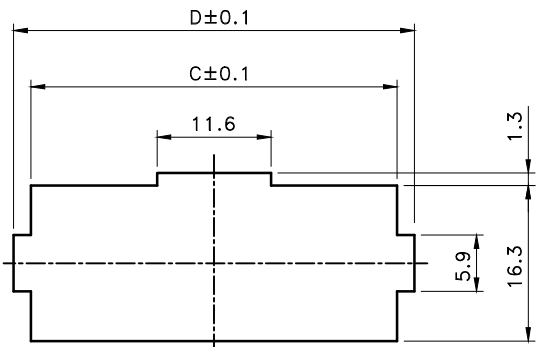
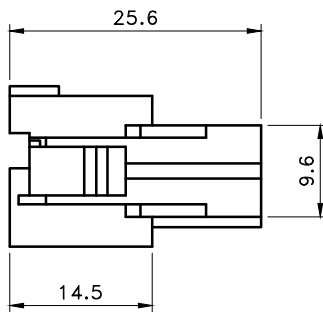
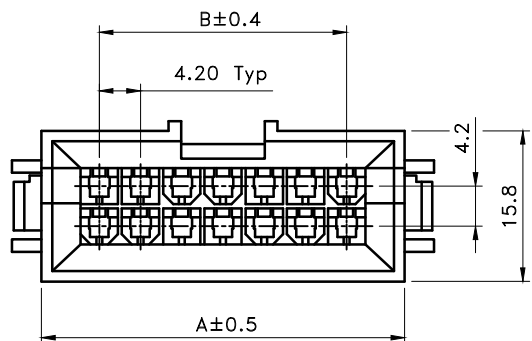
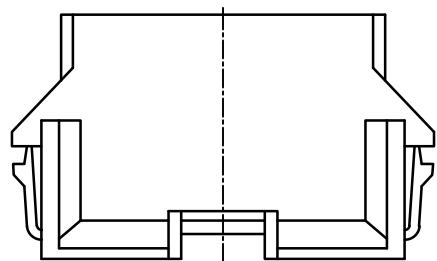


1 2 3 4 5 6 7 8



Recommend Panel cut-out  
General Tolerance ±0.05



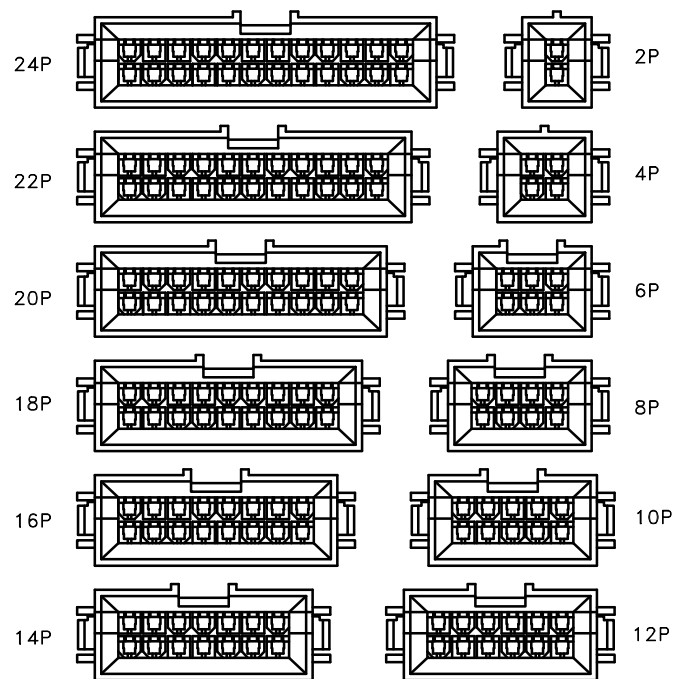
Poles	Part No.	Dimensions(mm)			
		A	B	C	D
2	2WW1148I-02	11.6	—	12.1	15.6
4	2WW1148I-04	15.8	4.2	16.3	19.8
6	2WW1148I-06	20.0	8.4	20.5	24.0
8	2WW1148I-08	24.2	12.6	24.7	28.2
10	2WW1148I-10	28.4	16.8	28.9	32.4
12	2WW1148I-12	32.6	21.0	33.1	36.6
14	2WW1148I-14	36.8	25.2	37.3	40.8
16	2WW1148I-16	41.0	29.4	41.5	45.0
18	2WW1148I-18	45.2	33.6	45.7	49.2
20	2WW1148I-20	49.4	37.8	49.9	53.4
22	2WW1148I-22	53.6	42.0	54.1	57.6
24	2WW1148I-24	57.8	46.2	58.3	61.8

■ SPECIFICATIONS

- Voltage Rating : 600 V AC
- Current Rating : 9A Max
- Withstanding Voltage : 1,500V AC/minute
- Insulation Resistance : 1,000M Ω min
- Temperature Range : - 40 °C to + 105 °C
- Contact Resistance : 20m Ω max

■ PLUG HOUSING

- Part No. : 2WW1148I - XX
- Poles : 2~24(BMI Type)
- Material : Nylon 66 UL94V-0 ; Color : White
- Q'ty : 1,000 pcs./Bag



TOLERANCE	LTR	REVISION RECORD	NAME	DATE	LTR	REVISION RECORD	NAME	DATE
.0	±0.30	▲	RoHS Compliant	黄科源	2007/01/05	8		
.00	±0.20	▲	200812-011	黄科源	2008/12/11	9		
.000	±0.10	▲	依ECR-00000160修改產品敘述	李柏昇	2016/08/02	10		
ANGLE		▲						
0°	±1°	▲						
.0°	±	▲						
SHEET	1/1	▲						

Singatron Enterprise Co., Ltd.

TITLE	4.20mm D/R Power Connectors Plug Housing(BMI Type)			
DWN	李柏昇	PART NO.	2WW1148I-XX	
CHKD	簡鴻彬	SCALE	1:1	UNIT: mm
APVD	張育瑞	SIZE	A3	SHEET: 1 OF 1 REV: a2

CUSTOMER

Conforms to The RoHS Instruction

CUSTOMER COPY

1 2 3 4 5 6 7 8