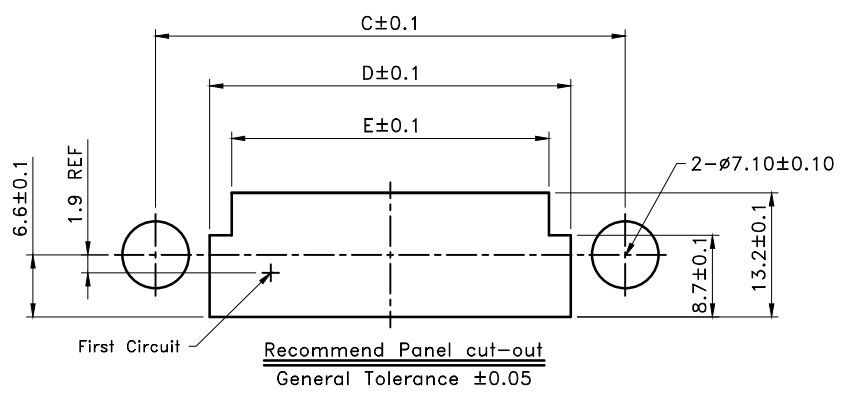


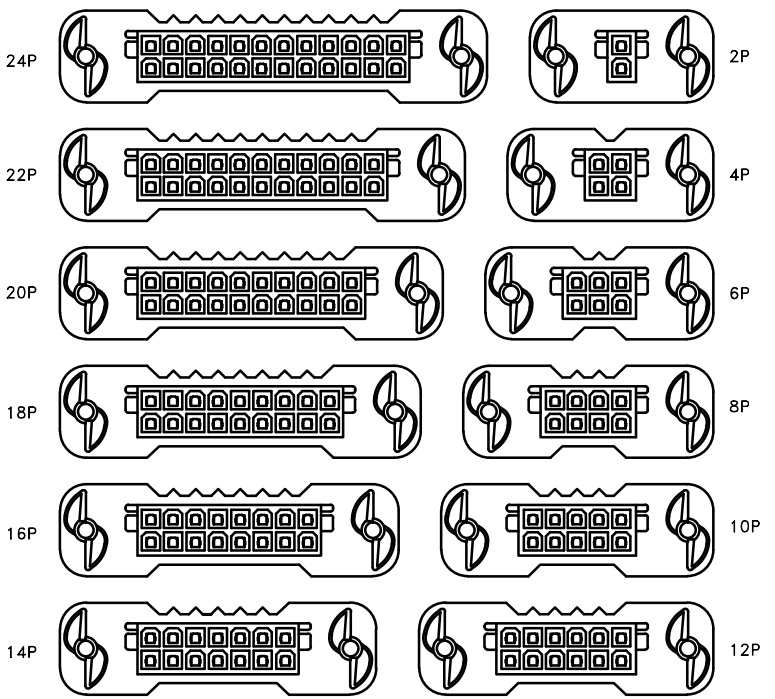
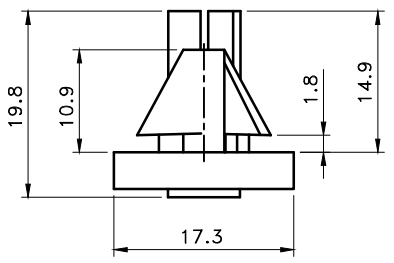
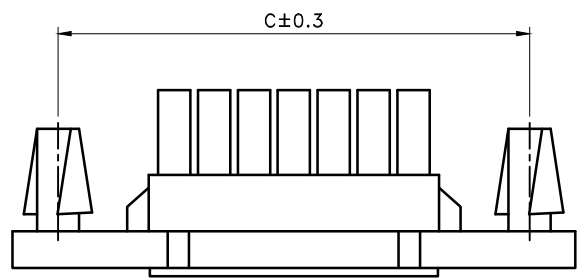
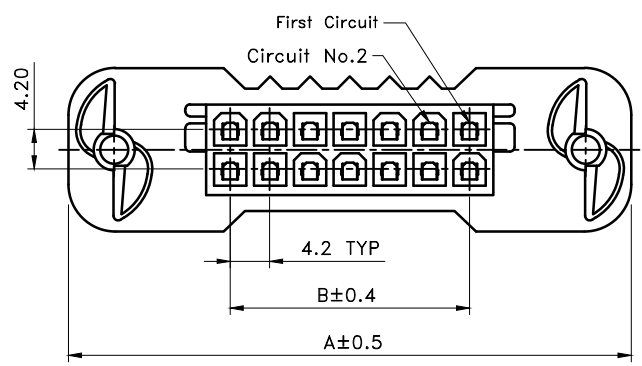
1 2 3 4 5 6 7 8



| Poles | Part No. | Dimensions(mm) | | | | |
|-------|--------------|----------------|------|------|------|------|
| | | A | B | C | D | E |
| 2 | 2WW1149IA-02 | 36.0 | — | 25.0 | 13.4 | 8.7 |
| 4 | 2WW1149IA-04 | 40.2 | 4.2 | 29.2 | 17.6 | 12.9 |
| 6 | 2WW1149IA-06 | 44.4 | 8.4 | 33.4 | 21.8 | 17.1 |
| 8 | 2WW1149IA-08 | 48.6 | 12.6 | 37.6 | 26.0 | 21.3 |
| 10 | 2WW1149IA-10 | 52.8 | 16.8 | 41.8 | 30.2 | 25.5 |
| 12 | 2WW1149IA-12 | 57.0 | 21.0 | 46.0 | 34.4 | 29.7 |
| 14 | 2WW1149IA-14 | 61.2 | 25.2 | 50.2 | 38.6 | 33.9 |
| 16 | 2WW1149IA-16 | 65.4 | 29.4 | 54.4 | 42.8 | 38.1 |
| 18 | 2WW1149IA-18 | 69.6 | 33.6 | 58.6 | 47.0 | 42.3 |
| 20 | 2WW1149IA-20 | 73.8 | 37.8 | 62.8 | 51.2 | 46.5 |
| 22 | 2WW1149IA-22 | 78.0 | 42.0 | 67.0 | 55.4 | 50.7 |
| 24 | 2WW1149IA-24 | 82.2 | 46.2 | 71.2 | 59.6 | 54.9 |

- SPECIFICATIONS
- Voltage Rating : 600 V AC
 - Current Rating : 9A Max
 - Withstanding Voltage : 1,500V AC/minute
 - Insulation Resistance : 1,000MΩ min
 - Temperature Range : - 40°C to + 105°C
 - Contact Resistance : 20mΩ max

- RECEPTACLE HOUSING
- Part No. : 2WW1149IA - XX
 - Poles : 2~24(BMI Type)
 - Materia : Nylon 66 UL94V-0 ; Color : White
 - Q' ty : 1,000 pcs./Bag



| TOLERANCE | LTR | REVISION RECORD | NAME | DATE | LTR | REVISION RECORD | NAME | DATE |
|-----------|-------|-----------------|---------------------|------|------------|-----------------|------|------|
| .0 | ±0.30 | ▲ | RoHS Compliant | 黄科源 | 2007/01/05 | ▲ | | |
| .00 | ±0.20 | ▲ | 200811-023 | 黄科源 | 2008/11/26 | ▲ | | |
| .000 | ±0.10 | ▲ | 200812-011 | 黄科源 | 2008/12/11 | ▲ | | |
| ANGLE | | ▲ | 200908-007 | 黄科源 | 2009/08/18 | ▲ | | |
| 0° | ±1° | ▲ | 依ECR-00000160修改產品敘述 | 李柏昇 | 2016/08/03 | ▲ | | |
| .0° | ± | ▲ | | | | ▲ | | |
| SHFFT | 1/1 | ▲ | | | | ▲ | | |

| | | | |
|--------------------------------|--|----------|-------------------------|
| Singatron Enterprise Co., Ltd. | | | |
| TITLE | 4.20mm D/R Power Connectors Receptacle Housing(BMI Type) | | |
| DWN | 李柏昇 | PART NO. | 2WW1149IA-XX |
| CHKD | 簡鴻彬 | SCALE | 1:1 UNIT: mm |
| APVD | 張育瑞 | SIZE | A3 SHEET:1 OF 1 REV: a4 |
| CUSTOMER COPY | | | |

CUSTOMER
Conforms to The RoHS Instruction

1 2 3 4 5 6 7 8