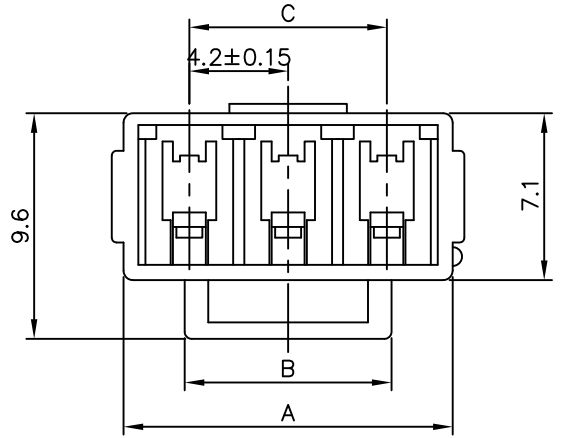
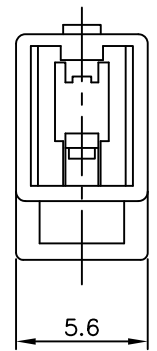
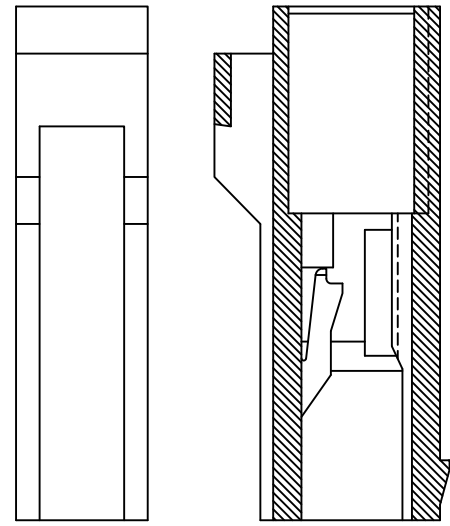


REV	ECN.NO.	REVISIONS	DRAWN	DATE
A		初版发行	Asimo	2011/06/27

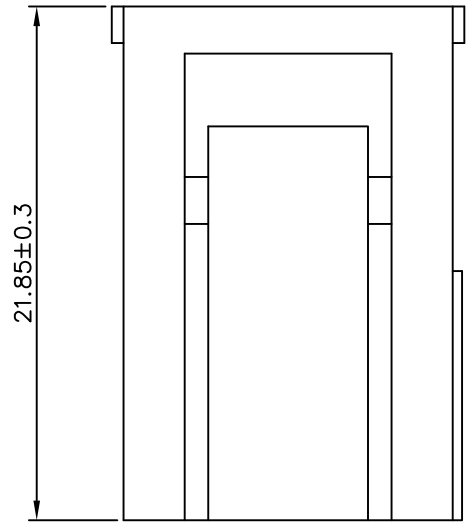


HOUSING  
 . Part No: **2WW2421S-XX-XX-XX**  
 Poles: 01~04  
 Blank: PA66-V0  
 D1: PA66+15%GF  
 Blank: Normal  
 NH: Non-halogen  
 . Q'ty: 1,000pcs/Bag



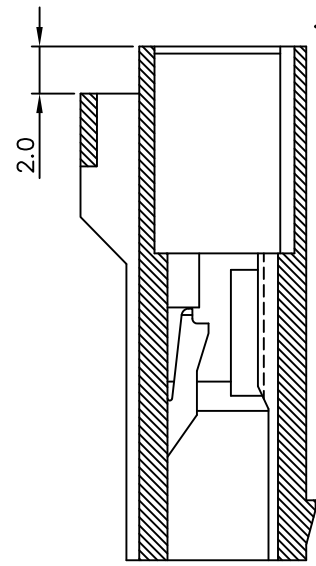
SECTION A-A

Poles: 01



SECTION A-A

Poles: 02~04



04	18.2	8.8	12.6
03	14.0	8.8	8.4
02	9.8	7.0	4.2
01	5.6	5.6	---
POLES	A	B	C

	X.± 0.40	X°.± 5.0'	UNITS	mm
	.X± 0.30	.X°± 2.0'	MAT'L	
	.XX± 0.20	.XX°± 1.0'		
	.XXX± 0.10	.XXX°± --	FINISH	
THESE DRAWINGS AND SPECIFICATIONS ARE THE PROPERTY OF CHYAO SHUNN ELECTRONIC CO., LTD. AND SHALL NOT BE REPRODUCED, COPIED OR USED IN ANY MANNER WITHOUT THE PRIOR WRITTEN CONSENT OF CHYAO SHUNN ELECTRONIC CO., LTD.				
			Q'TY	

Singatron Enterprise Co., Ltd.				
TITLE	4.20mm Crimp Style Connector			
DWN	Asimo	PART NO.	2WW2421S-XX-XX-XX	
CHKD	liuzhiwen	SCALE	1:1	UNIT: mm
APVD	liuzhiwen	SIZE	A3	SHEET: 1 OF 1
REV: A				
<b>CUSTOMER COPY</b>				