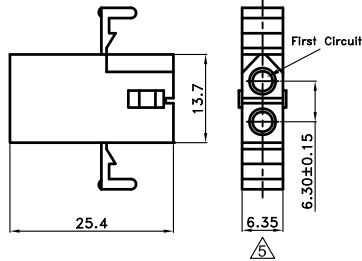
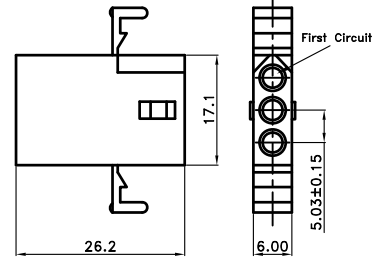


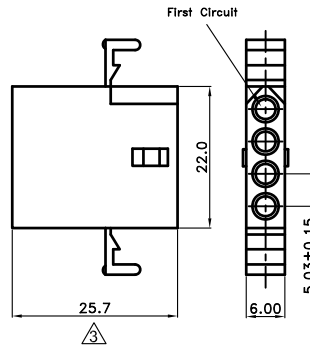
2WW2430B-02E



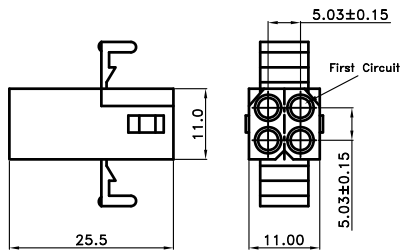
2WW2430B-03E



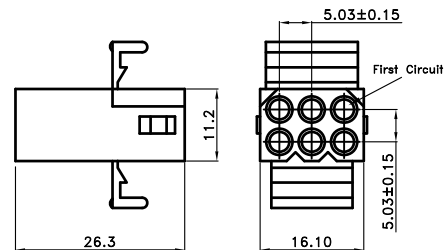
2WW2430B-04E



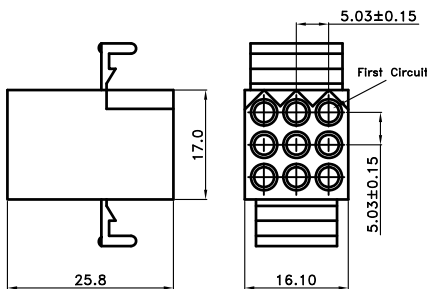
2WW2430B-2x2E



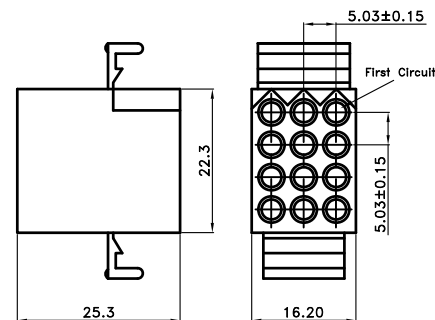
2WW2430B-06E



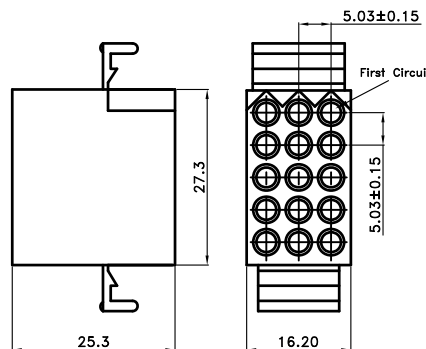
2WW2430B-09E



2WW2430B-12E



2WW2430B-15E



■ SPECIFICATIONS

- △ Current Rating : 12A AC/DC
- Withstanding Voltage : 1,500V AC/minute
- Insulation Resistance : 1,000M Ω min
- Temperature Range : -40 $^{\circ}$ C to +105 $^{\circ}$ C
- Contact Resistance : 20m Ω max

■ PLUG HOUSING(With Ear)

- Part No. : 2WW2430B-XXE

Poles No. ←

- Poles No. : 2, 3, 4, 2x2, 6, 9, 12, 15
- Material : Nylon 66 UL94V-2
- Package : Bag

TOLERANCE	LTR	REVISION RECORD	NAME	DATE
.0	±0.35	△ 修改圖面內容	黃科源	08/11/27
.00	±0.10	△ 4P的26.2mm修改為25.7mm	黃科源	09/07/17
.000		△ 修改標準公差.0 = ±0.35 ; .00 = ±0.10	黃科源	10/04/13
ANGLE		△ 2P尺寸錯誤修正	王誠賢	10/11/01
0 $^{\circ}$	±1 $^{\circ}$			
.0 $^{\circ}$	±			
SHEET	1/1			

Singatron Enterprise Co., Ltd.

TITLE 5.03mm(\varnothing 2.36mm) Wire to Wire Power Connector Series

DWN 王誠賢 PART NO. 2WW2430B-XXE

CHKD 黃科源 SCALE 1:1 UNIT: mm

APVD 張育瑞 SIZE: A3 SHEET: 1 OF 1 REV: a5

CUSTOMER COPY