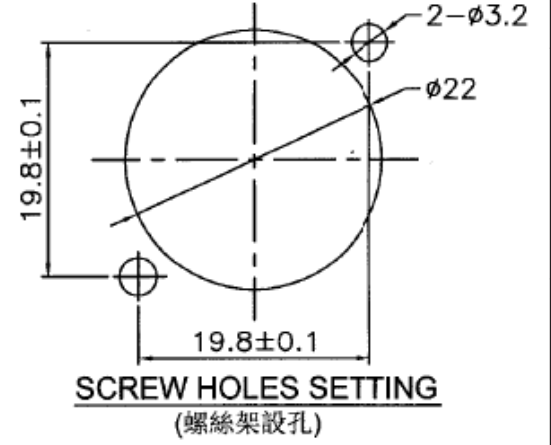
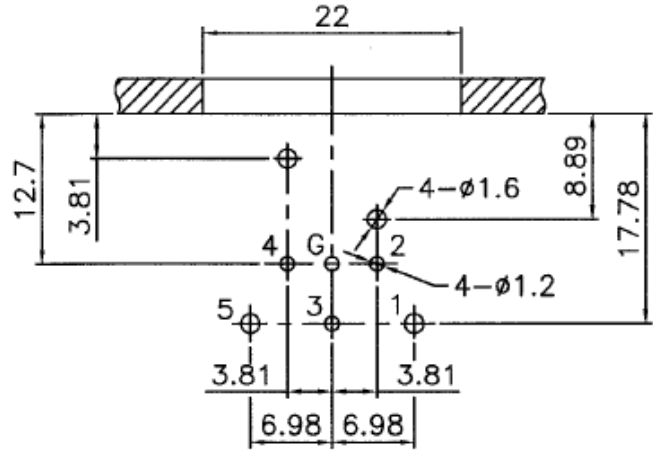
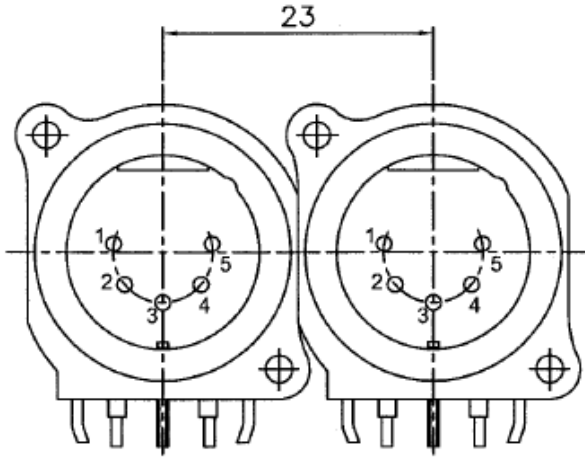
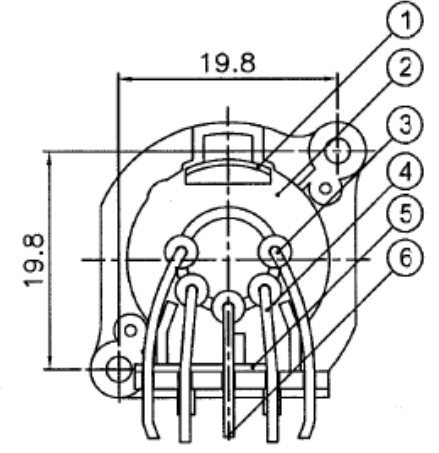
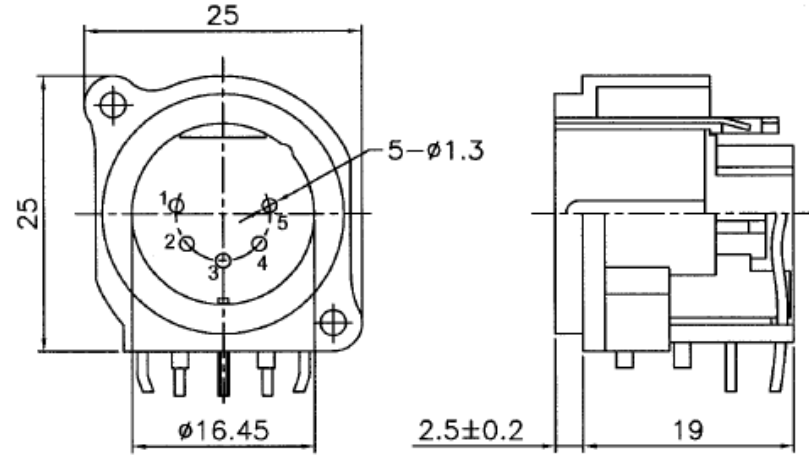


REVISIONS		
ISS	ZONE	DESCRIPTION\PER REQUEST\DATE
A2	D-4	2.7修改為2.5±0.2
V	OPEN	對客戶公開圖紙
	OPEN	對供應商公開圖紙
	CLOSED	僅限廠內使用



6	插針3 (PIN-3)	H59-1	鍍金(GOLD)	1
5	接地片(GROUND)	H62	鍍鎳(NICKEL)	1
4	插針2&4 (PIN-2&4)	H59-1	鍍金(GOLD)	2
3	插針1&5 (PIN-1&5)	H59-1	鍍金(GOLD)	2
2	本體(BODY)	PA	黑色(BLACK)	1
1	卡扣(LOCK SLICE)	COLD-ROLLED	鍍鎳(NICKEL)	1
NO.	DESCRIPTION	MATERIAL	FINISH	Q'TY

UNLESS OTHERWISE SPECIFIED
TOLERANCES
ANGLES = ±5°
UP TO 6 = ±0.2
6-40 = ±0.4
40-120 = ±0.6
120-315 = ±1
ABOVE 315 = ±1.6

Singatron Enterprise Co., Ltd.			
TITLE	5 Pin XLR Male Chassis Connector, Plastic, R/A		
DWN	貝旭峰	PART NO.	2XR-555PN-R-5P
CHKD	2017-02-06	SCALE 1:1	UNIT: mm
APVD		SIZE: A3	SHEET: 1 OF 1 REV: A2
CUSTOMER COPY			