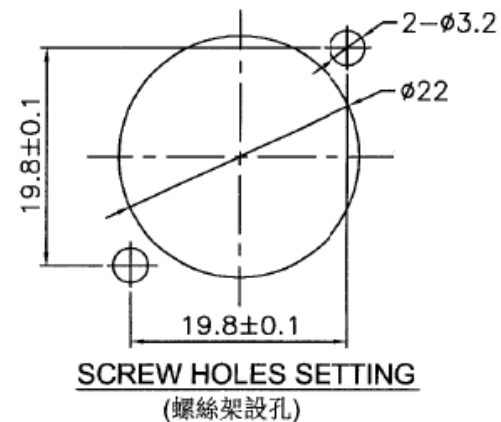
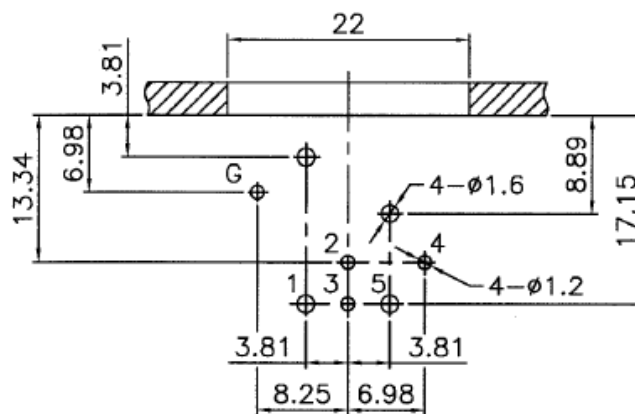
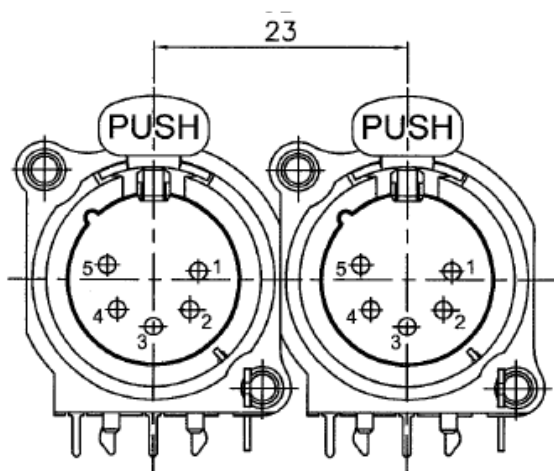
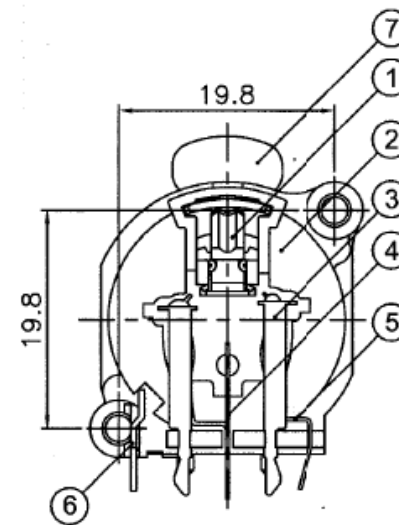
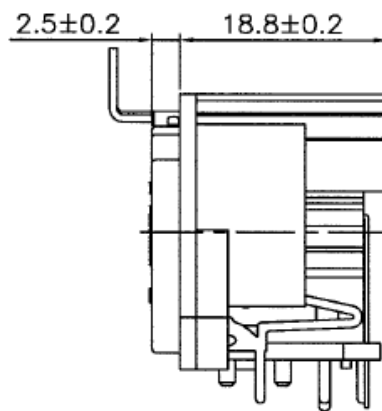
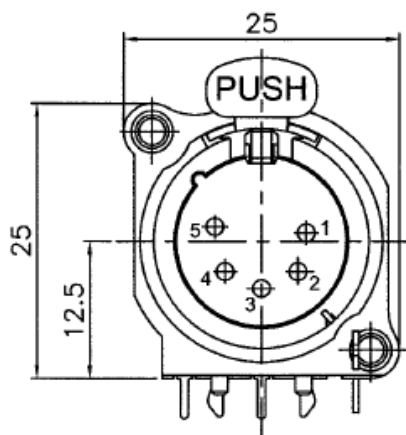


REVISIONS			
ISS	ZONE	DESCRIPTION\PER REQUEST\DATE	
A3	F-5	3.0修改為2.5±0.2	
V	OPEN	對客戶公開圖紙	
	OPEN	對供應商公開圖紙	
	CLOSED	僅限廠內使用	



7	推杆(PUSH BUTTON)	H62	鍍鎳(NICKEL)	1
6	接地端子(GND TERMINAL)	H62	鍍鎳(NICKEL)	1
5	端子2&4 (TERMINAL-2&4)	H62	鍍金(GOLD)	2
4	端子3 (TERMINAL-3)	H62	鍍金(GOLD)	1
3	端子1&5 (TERMINAL-1&5)	H62	鍍金(GOLD)	2
2	本體(BODY)	PA	黑色(BLACK)	1
1	鋼片(LATCH)	65Mn	鍍鎳(NICKEL)	1
NO.	DESCRIPTION	MATERIAL	FINISH	Q'TY

UNLESS OTHERWISE SPECIFIED
TOLERANCES
ANGLES = ±5°
UP TO 6 = ±0.2
6-40 = ±0.4
40-120 = ±0.6
120-315 = ±1
ABOVE 315 = ±1.6

Singatron Enterprise Co., Ltd.

TITLE	5 Pin XLR Female Chassis Connector, Plastic, R/A, With Push-Button		
DWN	貝旭峰	PART NO.	2XR-561PN-PR-5P
CHKD	2017-02-06	SCALE	1:1 UNIT: mm
APVD		SIZE: A3	SHEET: 1 OF 1 REV: A3
CUSTOMER COPY			