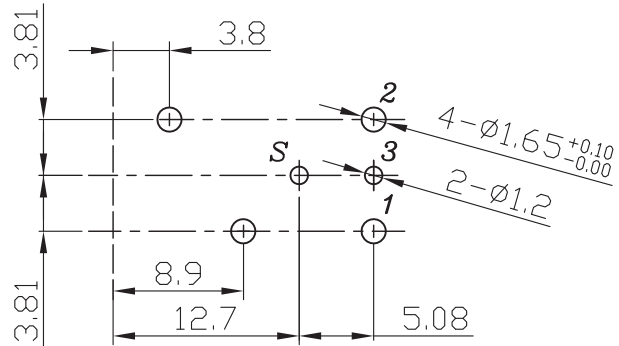


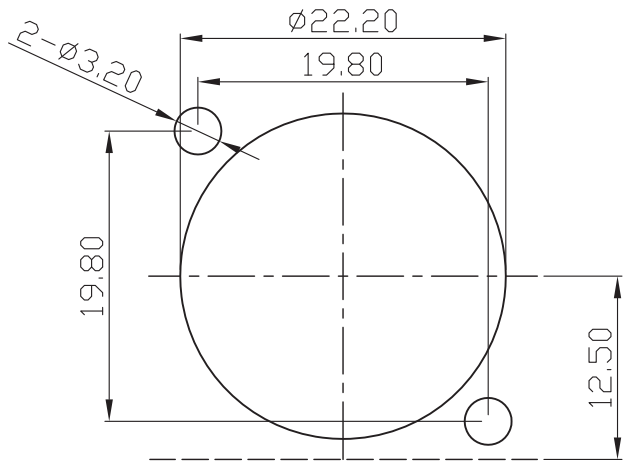
正式

RoHS
Compliant

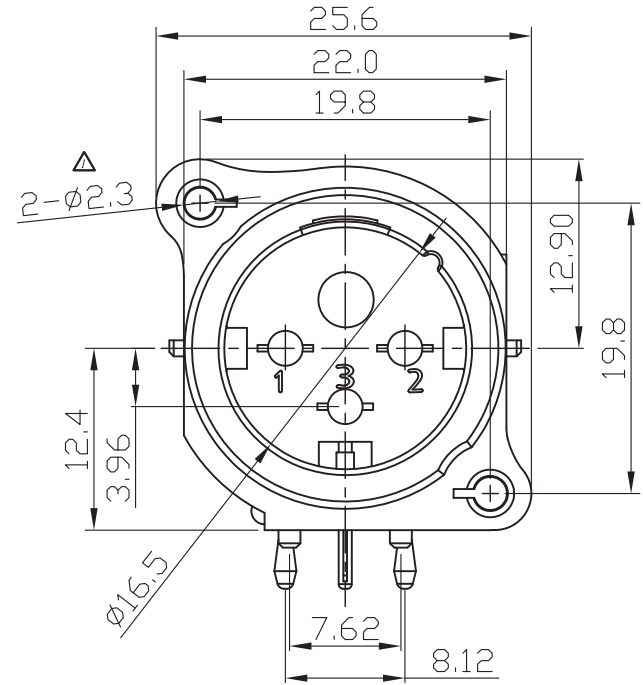
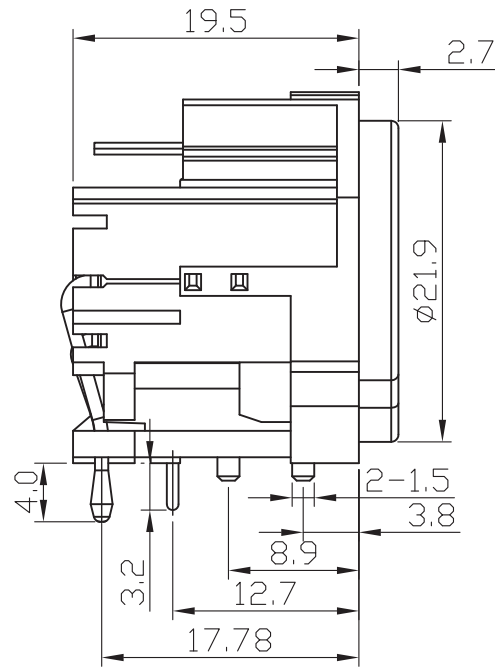
變更記號	變更日期	ECN NO.	REV.	說明	擔當者
△ X 2	2012.01.05	ECN20105A	B	KX-01M系列機種・新增接地功能	Jacky



P.C.B. LAYOUT(±0.1)
(BOTTOM VIEW)



PANEL CUT OUT
(FRONT SIDE)



Recommend the use of screws :
M2.5~M3.0

4	SLEEVE	1	P. B. S	Ag
3	PIN	3	BRASS	Au
2	LATCH LOCK	1	SK7	Ni
1	BODY	1	NYLON	BLACK
NO	PART NAME	Q'TY	MATERIAL	PLATING & COLOR

UNLESS OTHERWISE SPECIFIED TOLERANCES		SINGATRON (U.S.A.)			
DECIMALS :		PART NAME		DRAWN DATE	
X	±0.50	XLR CONNECTOR		2009.02.09	
X.X	±0.30	MATERIAL		DRAWN DATE	
X.XX	±0.15	THICKNESS		APPROVED	
ANGLES :		PAPT NO :		CHECKED	
X°	±5°	2XR-KX01M-3HN		Jacky	
X.X°	±3°	SCALE :		DRAWN	
		2 : 1		Roy	
		SIZE :		SHEET :	
		A4		1 of 1	
		UNIT :		DRAWN	
		mm		Roy	
		REV :		SHEET :	
		B △		1 of 1	