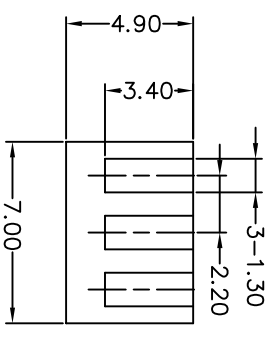
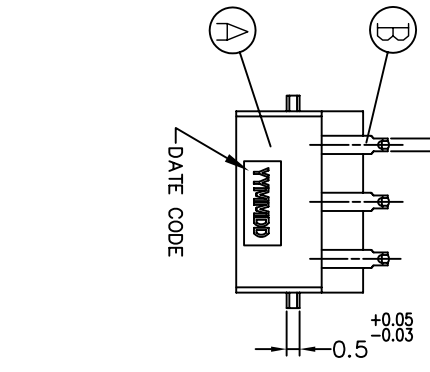
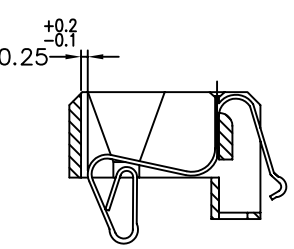
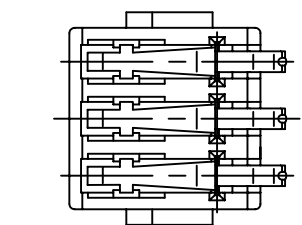
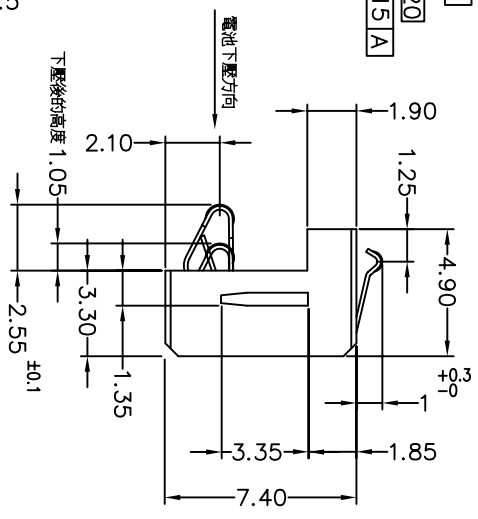
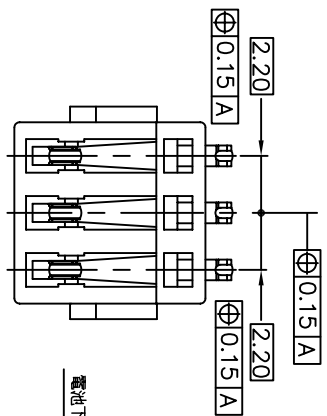
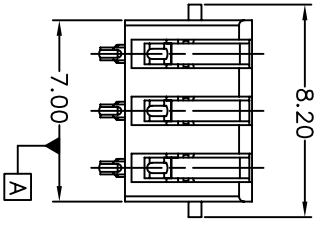


REV.	ECN NO OR DESCRIPTION	REVISED	DATE
A	ECN NO.940268	DA	2005.12.20
B	ECN NO.1060242	JERRY	2006.08.24

**SPECIFICATIONS:**

- ELECTRICAL CHARACTERISTICS  
 Contact Current Rating : 1.5 Amperes  
 Dielectric Withstanding Voltage : 1000 VAC (100 VDC) / 1 Minute  
 Contact Resistance : 20 Milliohms Maximum  
 Insulation Resistance : 1000 Megohms Minimum at 100V DC  
 Operating Temperature : -55°C to + 105°C
- PACKING: TRAY PACKED.
- TO CONFORM TO THE "SE-01-001" & "ROHS DIRECTIVE"
- GREEN PRODUCT IDENTIFICATION LABEL IN PACKING: **G.P. PASS**



RECOMMENDED PCB LAYOUT  
 GENERAL TOLERANCE ±0.05

B	CONTACT	3	COPPER ALLOY 0.15t	NICKEL PLATED 40μm±60μm ALL OVER HARD PLATING GOLD FLASH At 10μm Min PLATED ON CONTACT AREA
A	BODY	1	THERMOPLASTIC UL94V-0	BLACK COLOR
UNLESS OTHERWISE SPECIFIED TOLERANCES		QTY	MATERIAL	PLATING & COLOR
DECIMALS:		ANGLES:		
X	±0.5	X	±2°	
X,X	±0.3	X,X	±1°	
X,XX	±0.2			

Singatron Enterprise Co., Ltd.  
 信晉企業股份有限公司

TITLE	3 PIN BATTERY CONNECTOR(1.5mm)		
DWN	REV 200620	PART NO.	2BA-0015-005
CHKD		SCALE:5/1	UNIT: mm
APVD	REV 200620	SIZE: A3	SHEET:1 OF 1

CUSTOMER COPY