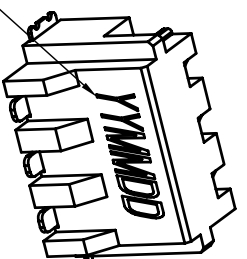
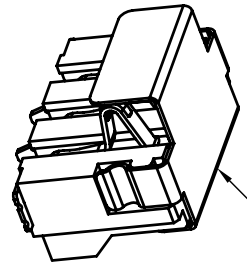
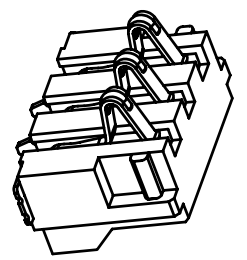
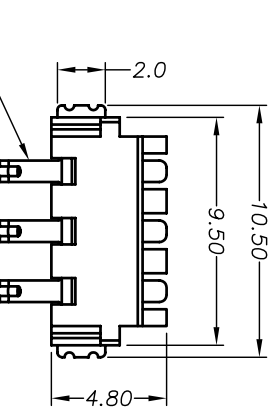
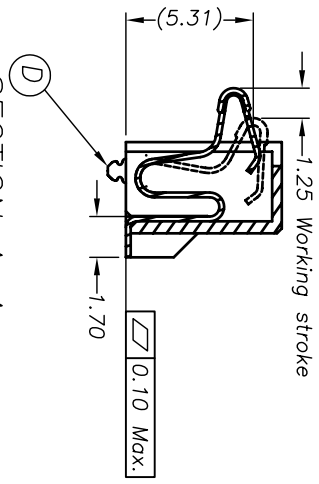
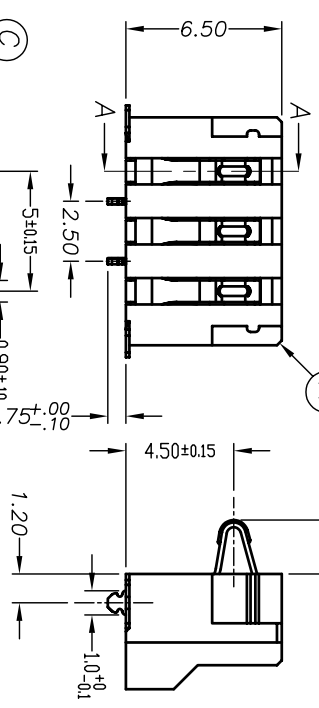


REV.	ECN NO. OR DESCRIPTION	REVISED	DATE
A	PRODUCT RELEASE	JASON	2008/01/11

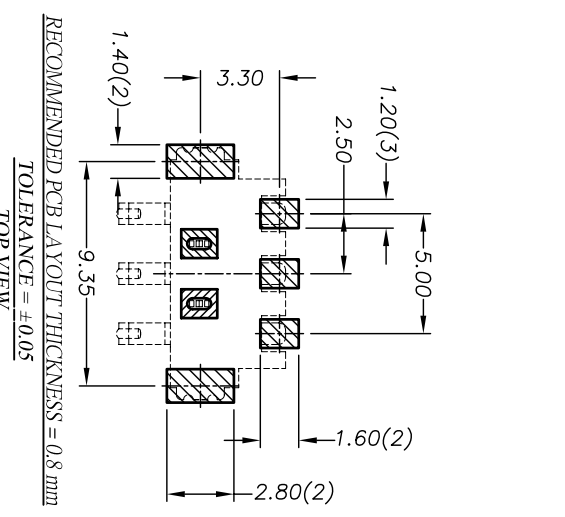
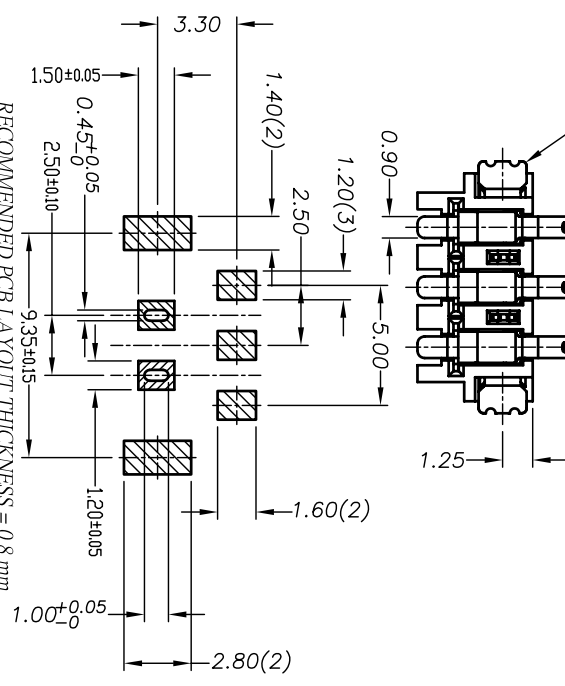


DATE CODE
YY : Year
MM:Month
DD:Day

- NOTE:
- FOR BATTERY CONNECTOR REFER TO 2BA1006-000111 SERIES SPECIFICATION.
 - ELECTRICAL CHARACTERISTICS:
 - RATING: 12V DC 2.0A.
 - CONTACT RESISTANCE: INITIAL 20mΩMAX., AFTER LIFE TEST UNDER 40mΩ
 - DIELECTRIC VOLTAGE WITHSTAND: 500V AC FOR 1 MINUTE
 - INSULATION RESISTANCE: 1000M ΩMIN.
 - MECHANICAL CHARACTERISTICS:
 - NORMAL FORCE : 110g (n/LOADING TO 1.2mm).
 - LIFE TEST: 2,000 CYCLES MIN.
 - PACKING: TAPE & REEL.
 - TO CONFORM TO THE SINGATRON HSF SPECIFICATION.
 - GREEN PRODUCT IDENTIFICATION MARK ON JACK:
 - GREEN PRODUCT IDENTIFICATION LABEL ON PACKAGING:
 - FOR IR REFLOW PROCESS.
 - REFLOW SOLDER CAPABLE 270°C 10SECS.
 - PART NO.



SECTION A-A



NO	DESCRIPTION	QTY	MATERIAL	PLATING & COLOR
E	COVER	1	SUS	WASHING
D	FORK	2	COPPER ALLY 0.25t	TIN PLATING
C	TERMINAL	2	COPPER ALLY 0.15t	TIN PLATING
B	CONTACT	3	COPPER ALLY 0.20t	GOLD PLATED ON CONTACT AREA
A	BODY	1	HIGH TEMP.THERMOPLASTIC UL 94V-0	BLACK COLOR

UNLESS OTHERWISE SPECIFIED TOLERANCES

DECIMALS: ANGLES:

X : ±0.50 X : ±.2°
X.X : ±0.30 X.X : ±.1°
X.XX : ±0.20 X.XX : ±.1°

Singatron Enterprise Co., Ltd.
 信亨企業股份有限公司
 TITLE: BATTERY CONNECTOR
 DWG: JASON 2008.1.14 PART NO. 2BA1006-000111
 CHKD: JANEBA 2008.1.14 SCALE: 5:1 UNIT: mm
 APVD: JANEBA 2008.1.14 SIZE: A3 SHEET: 1 OF 1 REV: A
 CUSTOMER COPY