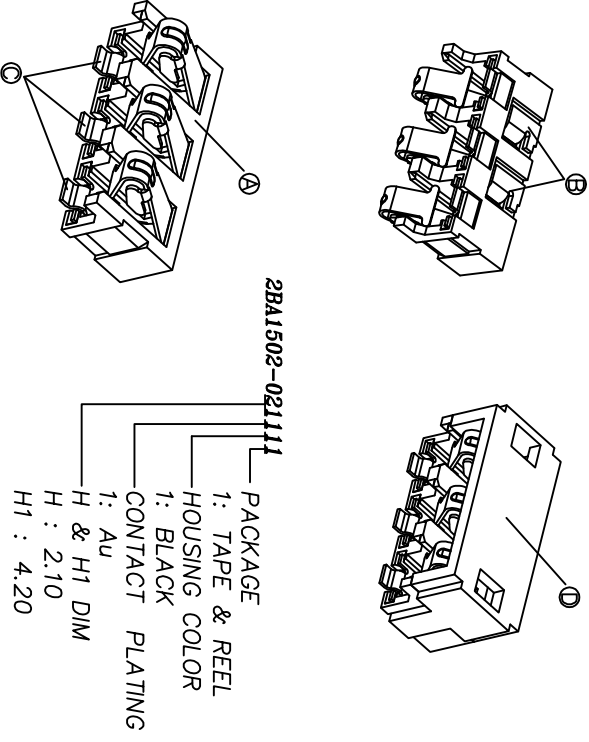


NOTE : TOLERANCE FOR PCB LAYOUT IS ± 0.05

RECOMMENDED PADS LAYOUT
<TOP VIEW>

- SPECIFICATIONS:
1. TO CONFORM TO THE "SINGATRON HSF SPECIFICATION"
 2. GREEN PRODUCT IDENTIFICATION LABEL IN PACKING: [G.P. PASS]
 3. SOLDER HEAT RESISTANCE : 260C 10 SECS.
 4. SEE "2BA1502 SERIES" SPECIFICATION
 5. PACKAGE : SEE "2BA1502 SERIES" SPECIFICATION



REV	ECN NO	OR DESCRIPTION	REVISED	DATE
A		PDR RELEASE	LULU	2008.03.18
B		PDR RELEASE/ECN NO. L080092	AMYC	2009.03.25

D	VACUUM COVER	1	PA9T	BLACK COLOR
C	GROUND TERMINAL	2	BRASS	Sn PLATING
B	BATTERY CONTACT	3	Ti-Cu	Au PLATING
A	HOUSING	1	PA9T	BLACK COLOR
NO	DESCRIPTION	QTY	MATERIAL	PLATING & COLOR

UNLESS OTHERWISE SPECIFIED TOLERANCES

Singatron Enterprise Co., Ltd.
信亨企業股份有限公司

TITLE: BATTERY CONNECTOR

DECIMALS: ANGLES:

DIM: ±0.5 X ±0.2
CHKD: ±0.3 X.X ±1°
APVD: ±0.2 X.XX ±0.2

PART NO. 2BA1502-021111
SCALE: N/A UNIT: mm

SIZE: A3 SHEET: 1 OF 1 REV: B

CUSTOMER COPY