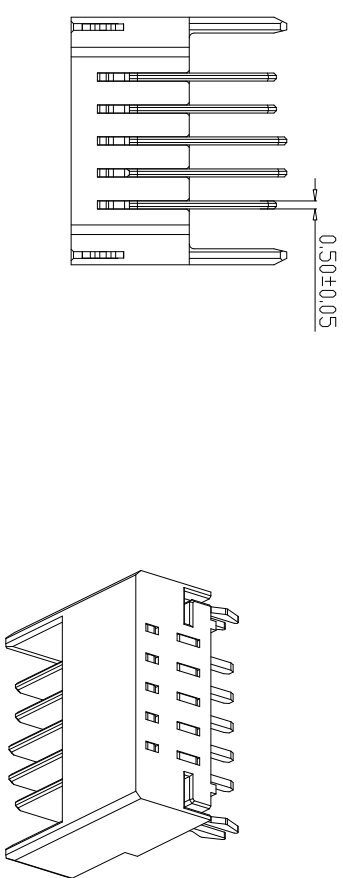
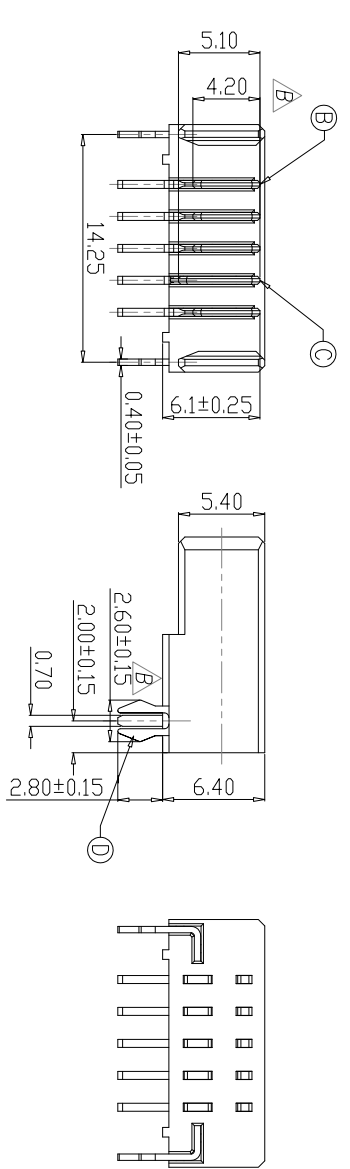
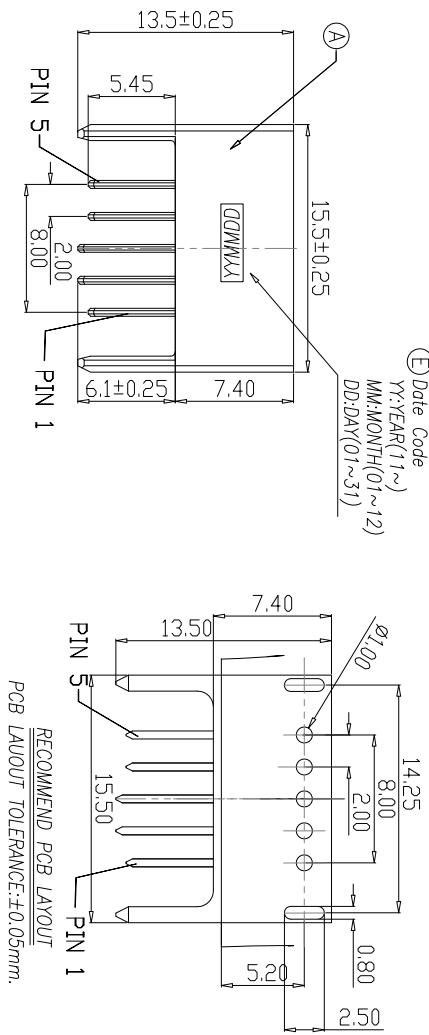


REV.	ECN NO OR DESCRIPTION	REVISED	DATE
A	PDR RELEASE	WY-C	2012.09.27
B	ECN NO: L140123	WY-C	2014.11.18
C	ECN NO: L160149	EVEN	2016.12.19

⑤ Date Code
YY:YEAR(11~)
MM:MONTH(01~12)
DD:DAY(01~31)



SPECIFICATIONS:

- VOLTAGE RATING: 30V AC MAX.
- CURRENT RATING: 7A.
- CONTACT RESISTANCE: 20mΩ MAX. (INITIAL)
- INSULATION RESISTANCE: 1000MΩ MIN. AT 500V DC.
- WITHSTANDING VOLTAGE: 500V AC MIN./1 MINUTE.
- TO CONFORM TO THE SINGATRON HAZARDOUS SUBSTANCE FREE SPEC.
- OTHER GENERAL SPEC. TO REFER "2BA1523 SERIES SPEC."
- HALOGEN FREE PRODUCT IDENTIFICATION LABEL ON PACKAGING:
- OPERATING TEMPERATURE: -40°C TO +85°C.
- PACKAGE: SEE "2BA1523 SERIES" PACKAGE.
- FOR REFLOW SOLDERING LEAD-FREE PROCESS.
- DURABILITY : 5000 CYCLES.

PART NO.

2BA1523-000111F

SUFFIX: HALOGEN FREE
PACKAGE
1: TRAY
HOUSING COLOR
1: BLACK
CONTACT PLATING
1: 5U" GOLD ON CONTACT AREA,
80U" MATTE TIN ON SOLDER AREA
50U" NICKEL UNDERPLATING OVERALL.

E	INK	2	COPPER ALLOY	BLACK
D	HARPOON	2	COPPER ALLOY	B/MATTE TIN OVER NICKEL
C	LONG TERMINAL	2	COPPER ALLOY	SEE PART NO.
B	SHORT TERMINAL	3	COPPER ALLOY	SEE PART NO.
A	HOUSING	1	HIGH TEMP. THERMOPLASTIC UL 94V-0	BLACK
NO	DESCRIPTION	QTY	MATERIAL	PLATING & COLOR

UNLESS OTHERWISE SPECIFIED TOLERANCES

DECIMALS:	ANGLES:
X : ±0.5	X : ±2°
XX : ±0.3	XX : ±1°
XXX : ±0.2	

TITLE	Singatron Enterprise Co., Ltd. 信登企業股份有限公司	
DWN	REV: 2016.12.19	PART NO. 2BA1523-000111F
CHKD	SCALE: 3:1	UNIT: mm
APVD	ANCEA 2016.12.19	SIZE: A3 SHEET: 1 OF 1 REV: C

CUSTOMER COPY

