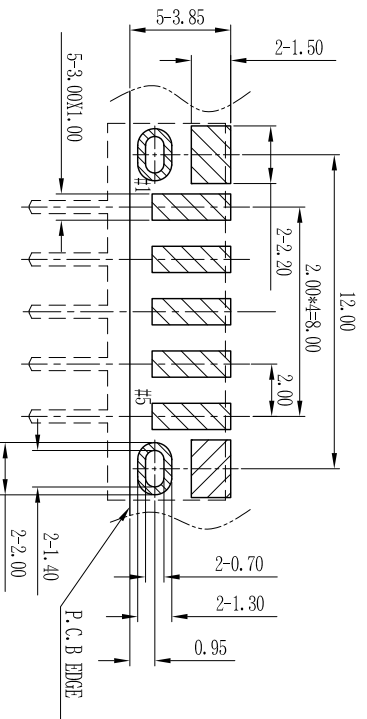
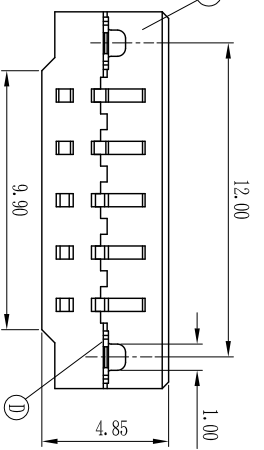
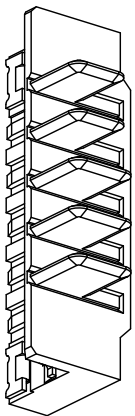
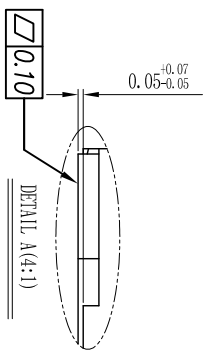
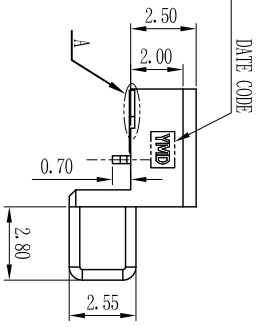
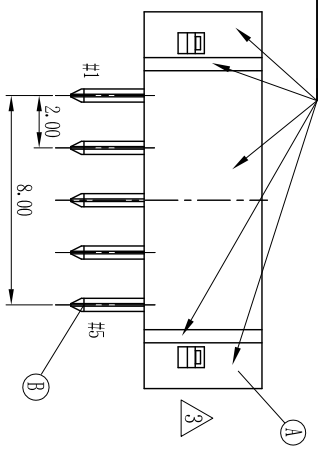


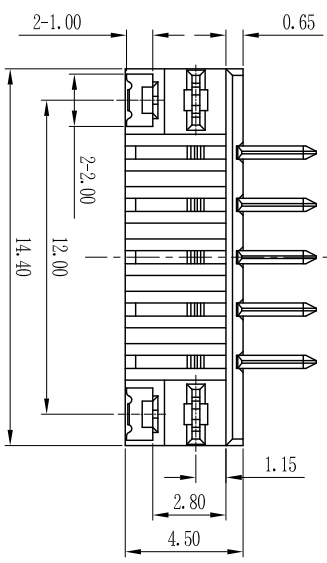
REV.	ECN NO OR DESCRIPTION	REVISED	DATE
A	PRODUCE SPEC RELEASE	Fan Luo	2011.05.31



RECOMMENDED P.C.B LAYOUT  
(TOP VIEW)(TOL.±0.05)(T=0.8mm)



- SPECIFICATIONS:
- ELECTRICAL CHARACTERISTICS:
    - BATING: 4.2V 1.5A, PER CONTACT.
    - CONTACT RESISTANCE: 30m MAX (INITIAL)
    - DIELECTRIC WITHSTANDING VOLTAGE: 500V AC FOR ONE MINUTE.
  - HALOGEN FREE PRODUCT IDENTIFICATION MARK ON JACK:
  - HALOGEN FREE PRODUCT IDENTIFICATION LABEL ON PACKAGING:
  - FOR REFLOW SOLDERING LEAD-FREE PROCESS.
  - PACKAGING: TAPE REEL.



NO	DESCRIPTION	QTY	MATERIAL	PLATING & COLOR
D	TAB	2	COPPER ALLOY 0.2T	Sn PLATING
C	FORK	2	COPPER ALLOY 0.3T	Ni PLATED
B	CONTACT	5	COPPER ALLOY 0.5T	GOOD FLASH
A	BODY	1	HIGH TENSILE THERMOPLASTIC UL 94V-0	BLACK

Singatton Enterprise Co., Ltd.  
信音企業股份有限公司

UNLESS OTHERWISE SPECIFIED TOLERANCES	TITLE	2.0mm PITCH BATTERY CONNECTOR
DECIMALS:	ANGLES:	
X: ±0.5	X: ±2°	
X.X: ±0.3	X.X: ±1°	
X.XX: ±0.2		

DRAWN	DATE	2011.5.28	PART NO.	2BA2022-000111F
CHECKED	DATE	2011.5.28	SCALE	5:1
APVD	DATE	2011.5.28	SIZE	A3
			SHEET	10/1
			REV.	A

CUSTOMER COPY

#5	PACK -
#4	PACK -
#3	DQ
#2	PACK +
#1	PACK +
PIN	PIN ASSIGNMENT