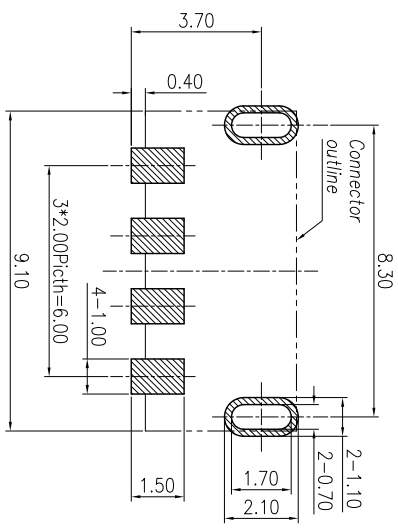
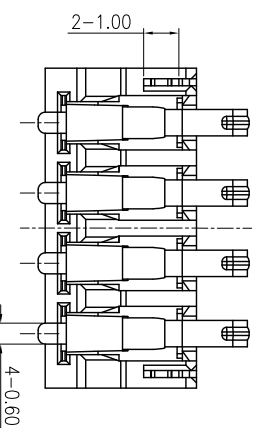
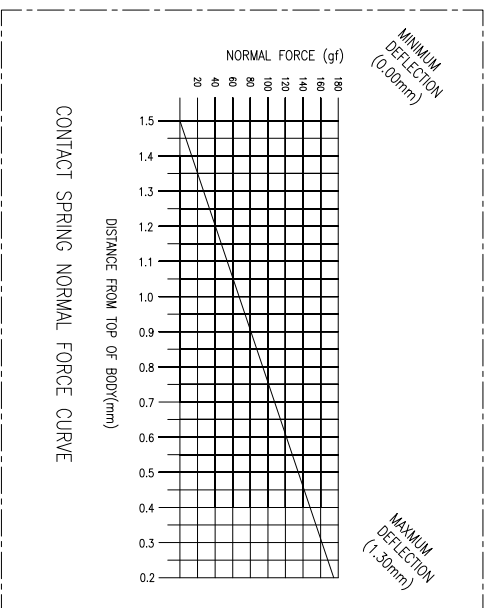
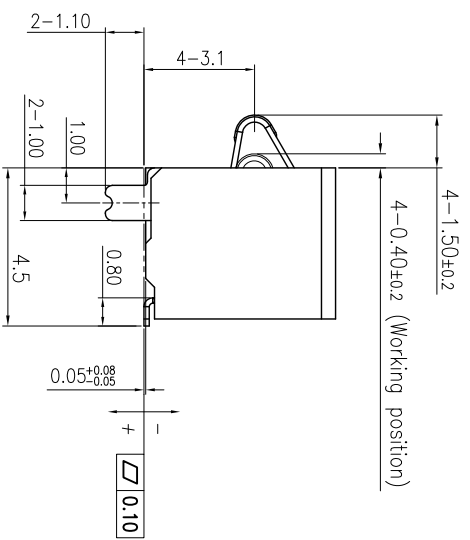
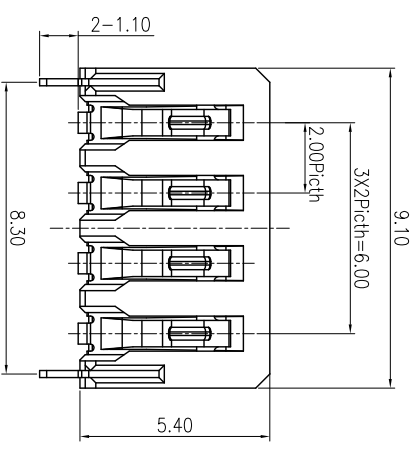


- NOTE:
- MECHANICAL : DURABILITY : 5,000 CYCLES MIN.
 - OTHER GENERAL SPEC. TO REFER : "2BA2026-002111F SPEC. "
 - SOLDER HEAT RESISTANCE: REFLOW SOLDERING 260° FOR 10SEC.
 - TO CONFORM TO SINGATRON HAZARDOUS SUBSTANCE FREE SPEC.
 - HALOGEN FREE PRODUCT IDENTIFICATION MARK ON PRODUCT: ©
 - HALOGEN FREE PRODUCT IDENTIFICATION LOGO ON PACKAGING.
 - FOR REFLOW SOLDERING LEAD FREE PROCESS.
 - PACKAGING: TAPE&REEL



RECOMMENDED P.C.B. LAYOUT
TOP VIEW (TOLERANCE: ±0.05)

REV. A	ECON NO. OR DESCRIPTION	REVISED	DATE
A	PRODUCT RELEASE	Chunxiao	2014.03.04

C	TERMINAL	2	SPCC 0.2T	Tin 100u" min
B	CONTACT	4	C17200 TM04 0.15T	Contact Area :Gold flash Solder tail: Tin 100u" min
A	BODY	1	HIGH TEMP.THERMOPLASTIC UL 94-V0	BLACK
NO	DESCRIPTION	QTY	MATERIAL	PLATING & COLOR
UNLESS OTHERWISE SPECIFIED TOLERANCES				
DECIMALS: ANGLES:				
X	±0.5	X	±2°	
X.X	±0.3	X.X	±1°	
X.XX	±0.2			
TITLE: 2.0mm PITCH BATTERY				
DWN Dimension 14.3/7 PART NO. 2BA2026-002111F				
CHKD M/mm 14.3/7 SCALE 6:1 UNIT: mm				
APVD Date 14/3/ SIZE: A3 SHEET: 10F1 REV: A				
CUSTOMER COPY				



Singatron Enterprise Co., Ltd.
信晉企業股份有限公司

