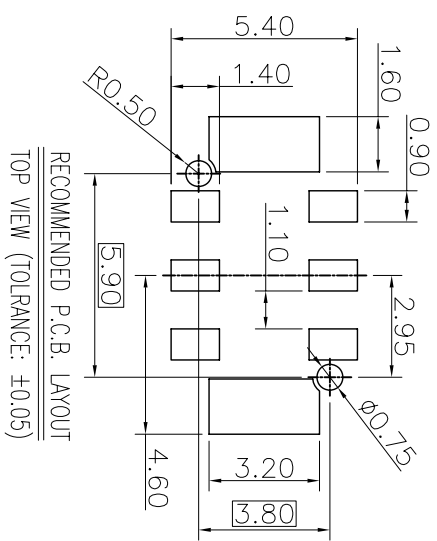
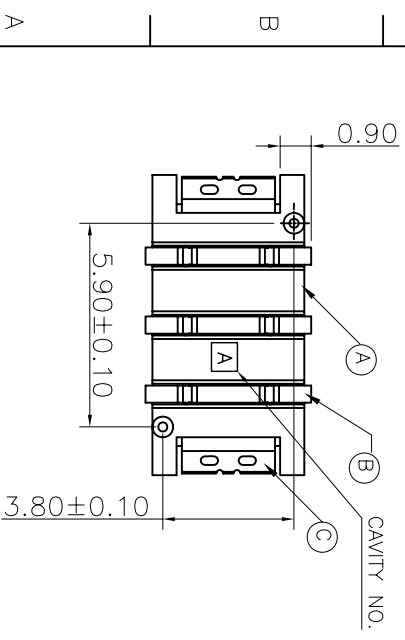
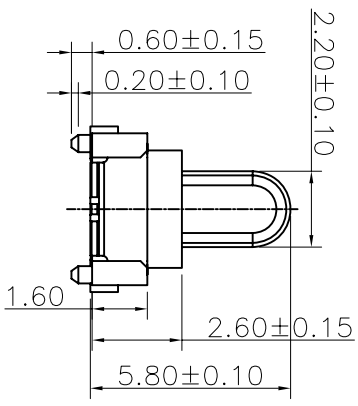
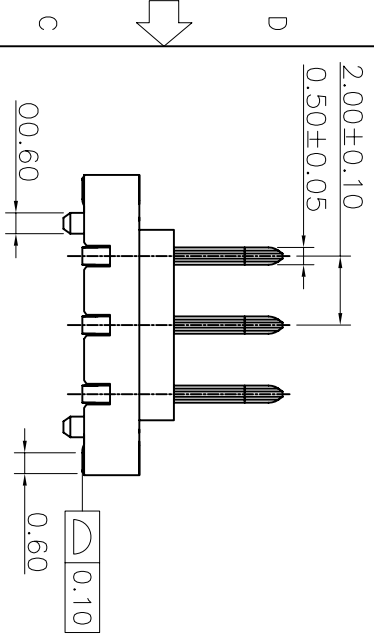
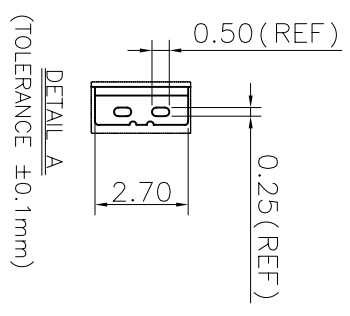
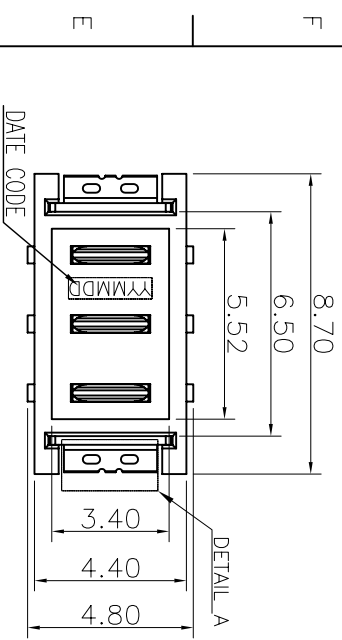


REV. ECN NO OR DESCRIPTION	REVISED	DATE
A NEW RELEASE	LY	08/03/12



- SPECIFICATIONS:**
- ELECTRICAL CHARACTERISTICS:
    - RATING: 30V, 2A Max.
    - CONTACT RESISTANCE: 30 MILLIOHMS Max. For Initial, After test 50 MILLIOHMS Max.
    - INSULATION RESISTANCE: 100 MEGAOHMS Min. BY 500V DC AFTER 1 MINUTE.
    - DIELECTRIC WITHSTANDING VOLTAGE: 500V RMS AFTER 1 MINUTE.
  - MECHANICAL CHARACTERISTICS:
    - INSERTION FORCE : 1.5kgf MAX
    - WITHDRAWAL FORCE : 0.03kgf MIN
  - LIFE TEST: 5,000 CYCLES MIN.
  - TEMPERATURE RANGE: -20~+85°C
  - OTHER GENERAL SPEC. TO REFER "2BA2027 SERIES SPEC".
  - TO CONFORM TO SINGATRON HAZARDOUS SUBSTANCE FREE SPEC.
  - HALOGEN FREE PRODUCT IDENTIFICATION LABEL ON PACKAGING:
  - PACKAGING: TAPE REEL
  - PART NO: 2BA2027 -0 00 1 1 1 F
- HOUSING MATERIAL: \_\_\_\_\_ HALOGEN FREE  
 0=HIGH TEMP PLASTIC  
 CONTACT PLATING: \_\_\_\_\_ PACKAGING: \_\_\_\_\_  
 00=GOLD FLASH 1=PAPER/REEL  
 HOUSING COLOR: \_\_\_\_\_ DURABILITY \_\_\_\_\_  
 1=BLACK 1=5000 CYCLES



C	SOLDER TABS	2	BRASS	TIN PLATED OVER NICKEL
B	TERMINAL	3	BRASS	150 NM Au PLATED ON CONTACT AREA, GOLD FLASH ON TAIL AND IN UNDER PLATED OVERALL
A	HOUSING	1	HIN	BLACK COLOR
NO	DESCRIPTION	QTY	MATERIAL	PLATING & COLOR
UNLESS OTHERWISE SPECIFIED TOLERANCES				
Singatron Enterprise Co., Ltd. 信音企業股份有限公司				
DECIMALS: ANGLES:				
X	:±0.5	X	:±2°	
X,X	:±0.3	X,X	:±1°	
X,XX	:±0.2			
TITLE: 3PIN BATTERY CONN				
DWN	LY	PART NO.	2BA2027-000111F	
CHKD	KIM	SCALE N/A	UNIT: mm	
APVD	SEAN	SIZE: A4	SHEET: 10F1	REV: A
CUSTOMER COPY				