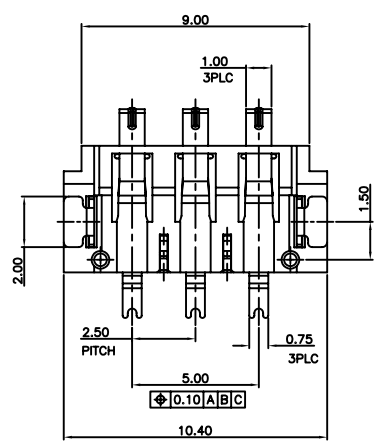
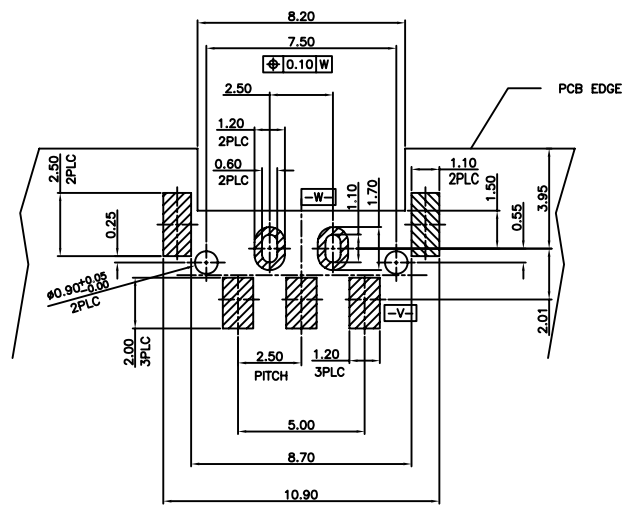
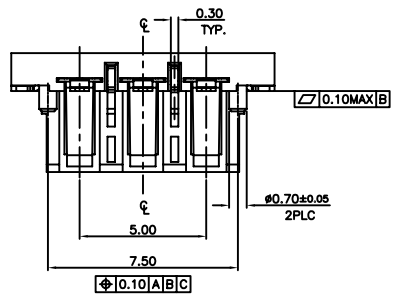
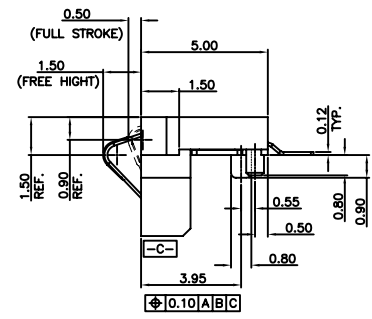
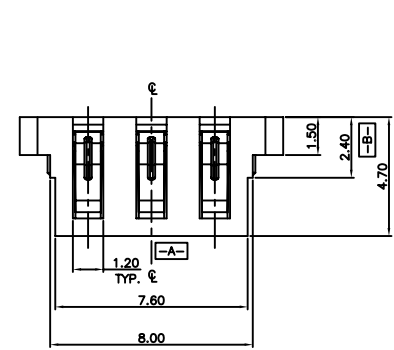
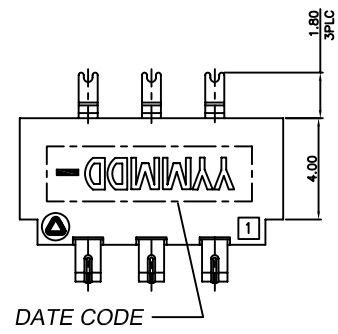
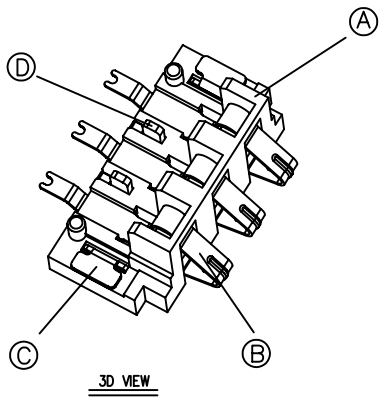
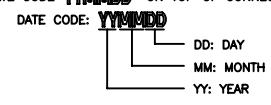


REV.	ECN NO OR DESCRIPTION	REVISED	DATE
A	PDR NO: 20060627-3-S	BOYE.QI	12/04/06
B	ECN NO:S070104	BOYE.QI	01/09/07
C	ECN NO:S070306	BOYE.QI	03/13/07



- NOTES:
- MATERIAL SEE TABLE.
 - ALL DIMENSIONS ARE IN MILLIMETERS.
 - ELECTRICAL PERFORMANCES:
 - CONTACT RESISTANCE: 50 mΩ MAX.
 - INSULATION RESISTANCE: 1000 MΩ MIN.
 - MECHANICAL PERFORMANCES:
 - REACTION FORCE: 100g MIN(WORKINR:1.0mm)
 - MECHANICAL OPERATION: 5000 CYCLES.
 - OPERATING TEMPERATURE: -40°C TO 85°C
 - GREEN PRODUCT IDENTIFICATION MARK IN BODY:
 - GREEN PRODUCT IDENTIFICATION LABEL IN PACKING:
 - FOR LEAD-FREE PRODUCT.
 - SOLDERING HEAT RESISTANCE: 260°C 10 SEC.
 - TO CONFORM TO THE "SE-01-001" & "ROHS DIRECTIVE".
 - PRINTED DATE CODE "YYMMDD" ON TOP OF CONNECTOR.



NO	DESCRIPTION	QTY	MATERIAL	PLATING & COLOR
D	LOCK	2	BRASS,T=0.30	TIN PLATING
C	PAD	2	BRASS,T=0.20	TIN PLATING
B	CONTACT	3	Be-Cu,T=0.12	GOLD PLATING
A	BODY	1	HIGH TEMP.	BLACK COLOR

UNLESS OTHERWISE SPECIFIED TOLERANCES		Singatron Enterprise Co., Ltd. 信音企業股份有限公司		
DECIMALS:	ANGLES:	TITLE	2.50 PITCH 3 PIN BATTERY CONN.	
X :±0.5	X :±2°	DWN	BOYE.QI 03/13/07 PART NO. 2BA3002-003111	
X.X :±0.3	X.X :±1°	CHKD	03/13/07 SCALE:5/1 UNIT: mm	
X.XX :±0.2		APVD	Sandy 03/13/07 SIZE: A3 SHEET:1 OF 1 REV: C	
CUSTOMER COPY(SZ)				