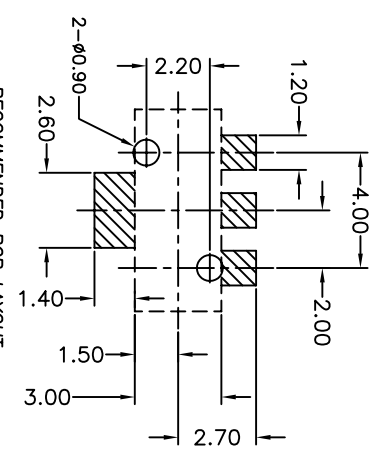
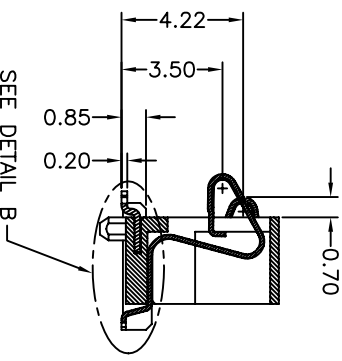
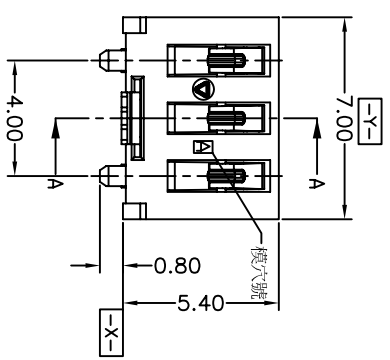
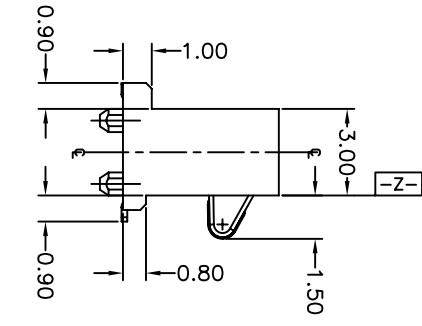
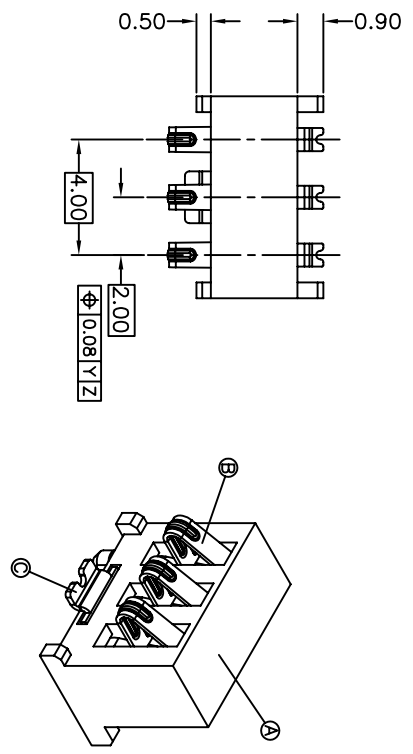
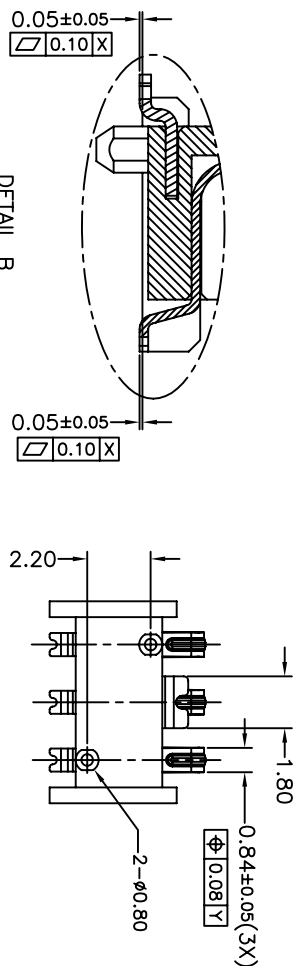


REV	ECN NO OR DESCRIPTION	REVISED	DATE
A	PDR NO: S071026-1A	Quan-Zhou/2007.12.20	

- NOTES:
1. MATERIAL SEE TABLE.
 2. ALL DIMENSIONS ARE IN MILLIMETERS.
 3. ELECTRICAL PERFORMANCES:
 - 3.1 CONTACT RESISTANCE: 50 mΩ MAX.
 - 3.2 INSULATION RESISTANCE: 1000 MΩ MIN.
 - 3.3 DIELECTRIC WITHSTANDING VOLTAGE : 250V AC MIN.
 4. MECHANICAL PERFORMANCES:
 - 4.1 MATING FORCE: 120g MIN./Pin (WORKING: 0.8mm)
 - 4.2 MECHANICAL OPERATION: 5000 CYCLES.
 - 4.3 OPERATING TEMPERATURE: -40°C TO 85°C
 5. GREEN PRODUCT IDENTIFICATION MARK ON BODY:
 6. GREEN PRODUCT IDENTIFICATION LABEL ON PACKAGING:
 7. FOR WAVE SOLDERING LEAD-FREE PROCESS.
 8. SOLDERING HEAT RESISTANCE: 260°C 10 SEC.
 9. TO CONFORM TO THE SINGATRON HSF SPECIFICATION.



RECOMMENDED PCB LAYOUT
TOP VIEW (TOLERANCE ±0.05)



DETAIL B
SCALE 2:1

C	PAD	1	COPPER ALLOY T=0.20mm	PLATING TN AT ALL AREA NI UNDER PLATED OVER ALL
B	CONTACT	3	COPPER ALLOY T=0.15mm	PLATING NI ON CONTACT AREA PLATING S/F ON ALL AREA
A	BODY	1	HIGH TEMP THERMOPLASTIC UL 94V-0	BLACK COLOR NI UNDER PLATED OVER ALL

NO	DESCRIPTION	QTY	MATERIAL	PLATING & COLOR
UNLESS OTHERWISE SPECIFIED TOLERANCES				
DECIMALS: ANGLES:				
X	:±0.5	X	:±2°	
X.X	:±0.3	X.X	:±1°	
X.XX	:±0.2			

TITLE	Singatron Enterprise Co., Ltd. 信音企業股份有限公司		
DWN	Quan-Zhou/2007.12.20	PART NO.	2BA3008-003111
CHKD	Sandy/2007.12.20	SCALE:	5:1 UNIT: mm
APVD	Max/2007.12.20	SIZE:	A3 SHEET: 1 OF 1 REV: A

CUSTOMER COPY(SZ)

A 1 2 3 4 5 6 7 8