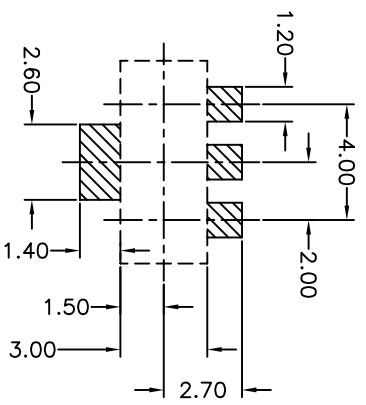
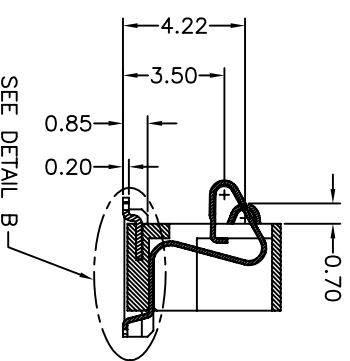
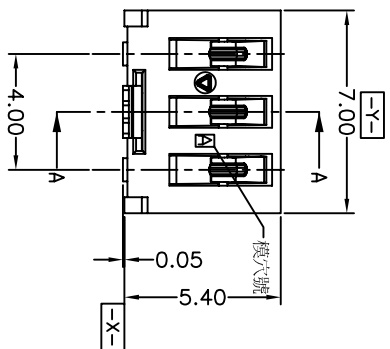
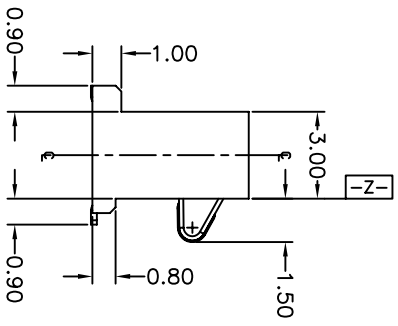
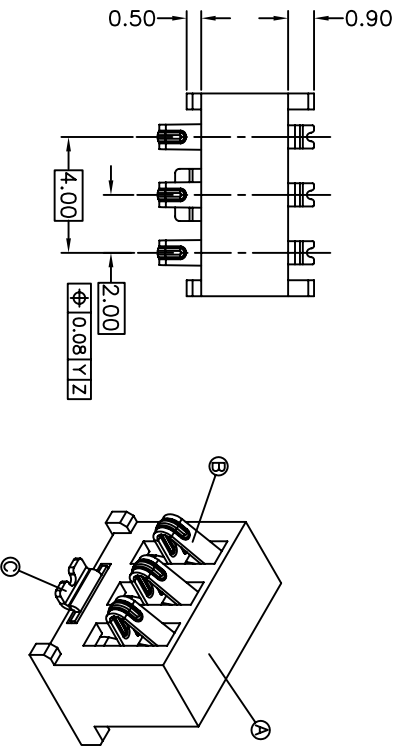
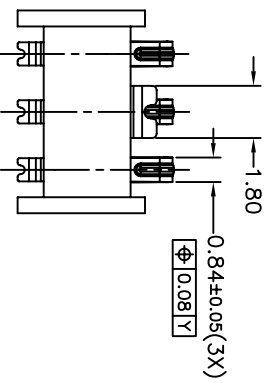
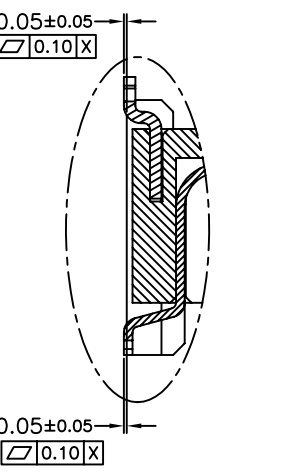


REV	ECN NO OR DESCRIPTION	REVISED	DATE
A	PDR No.:S080403-2A	Quan-Zhou	2008.05.05

- NOTES:
- MATERIAL SEE TABLE.
  - ALL DIMENSIONS ARE IN MILLIMETERS.
  - ELECTRICAL PERFORMANCES:
    - CONTACT RESISTANCE: 50 mΩ MAX.
    - INSULATION RESISTANCE: 1000 MΩ MIN.
    - DIELECTRIC WITHSTANDING VOLTAGE : 250V AC MIN. FOR ONE MINUTE.
  - MECHANICAL PERFORMANCES:
    - MATING FORCE: 120g MIN/Pin(WORKINR:0.8mm)
    - MECHANICAL OPERATION: 5000 CYCLES.
    - OPERATING TEMPERATURE: -40°C TO 85°C.
  - GREEN PRODUCT IDENTIFICATION MARK ON BODY:
  - GREEN PRODUCT IDENTIFICATION LABEL ON PACKAGING:
  - FOR WAVE SOLDERING LEAD-FREE PROCESS.
  - SOLDERING HEAT RESISTANCE: 260°C. 10 SEC.
  - TO CONFORM TO THE SINGATRON HSF SPECIFICATION.



RECOMMENDED PCB LAYOUT  
TOP VIEW(TOLERANCE ±0.05)



DETAIL B  
SCALE 2:1

NO	DESCRIPTION	QTY	MATERIAL	PLATING & COLOR
C	PAD	1	COPPER ALLOY,T=0.20mm	PLATING TIN AT ALL AREA NI UNDER PLATED OVER ALL
B	CONTACT	3	COPPER ALLOY,T=0.15mm	PLATING AU ON CONTACT AREA PLATING S/F ON ALL AREA NI UNDER PLATED OVER ALL
A	BODY	1	HIGH TEMP.THERMOPLASTIC UL 94V-0	BLACK COLOR

UNLESS OTHERWISE SPECIFIED TOLERANCES

DECIMALS:	ANGLES:
X :±0.5	X :±2°
X.X :±0.3	X.X :±1'
X.XX :±0.2	

TITLE	2.0mm PITCH 3 PIN BATTERY CONN.
DWN	Quan-Zhou
CHKD	Sandy
APVD	2008.05.05
PART NO.	2BA3011-003111
SCALE:	5:1
UNIT:	mm
SIZE:	A3
SHEET:	1 OF 1
REV:	A

Singatron Enterprise Co., Ltd.  
信音企業股份有限公司  
CUSTOMER COPY(SZ)