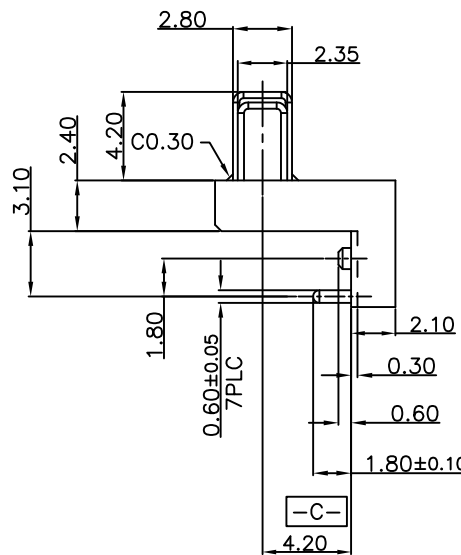
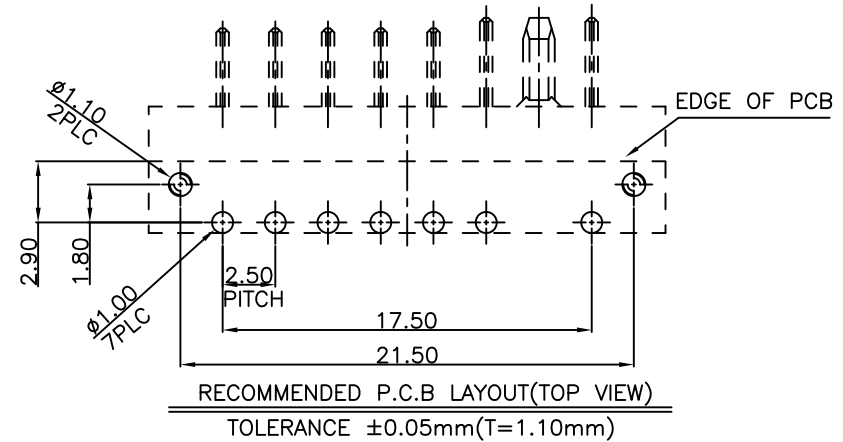
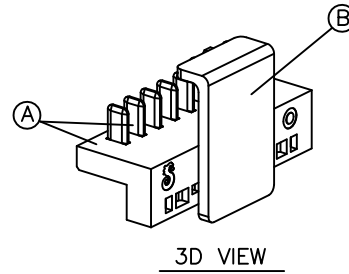
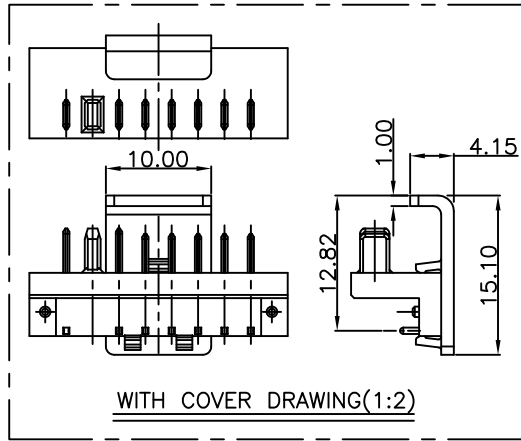


REV.	ECN NO OR DESCRIPTION	REVISED	DATE
A	PDR NO: S110421-1A	BOYE.QI	2011.07.26

NOTES:

- ELECTRICAL PERFORMANCES:
 - CONTACT RESISTANCE: 20 mΩ MAX.
 - INSULATION RESISTANCE: 1000 MΩ MIN.
 - DIELECTRIC WITHS TANDING VOLTAGE: 1000V AC FOR 1 MINUTE.
- HALOGEN FREE PRODUCT IDENTIFICATION MARK ON JACK:
- HALOGEN FREE PRODUCT IDENTIFICATION LABEL ON PACKAGING:
- PRINTED DATE CODE "YYMMDD" ON TOP OF CONNECTOR.



B	COVER	1	HIGH TEMPERATURE THERMOPLASTIC,UL 94V-0	BLACK
A	INSERT-MOLDING (BODY+TERMINAL)	7	BRASS,T=0.60±0.02	5 uin Gold plating on contact area; 120 uin Sn on solder tail area; All over 50uin Nickel Plating.
		1	HIGH TEMPERATURE THERMOPLASTIC,UL 94V-0	BLACK
NO	DESCRIPTION	QTY	MATERIAL	PLATING & COLOR
UNLESS OTHERWISE SPECIFIED TOLERANCES			Singatron Enterprise Co., Ltd. 信音企業股份有限公司	
DECIMALS: ANGLES:		TITLE		
X	:±0.25	X	:±2'	DWN BOYE.QI 2011.07.26
X.X	:±0.15	X.X	:±1'	CHKD Tony 2011.07.26
X.XX	:±0.10	X.XX	:±1'	APVD MAX 2011.07.26
		MALÉ BATTERY CONNECTOR PART NO. 2BA3015-007111F		
		SCALE:5:1	UNIT: mm	REV: A
		SIZE: A3	SHEET:1 OF 1	
CUSTOMER COPY				

