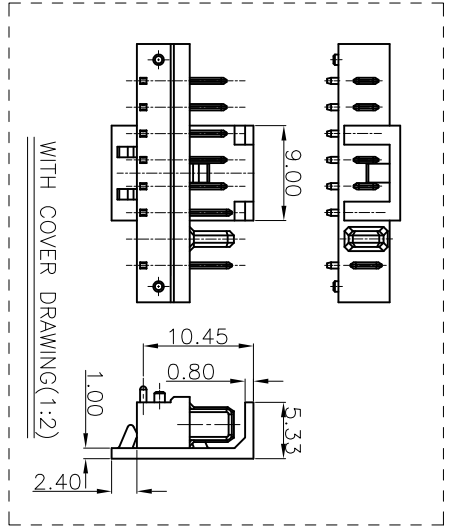
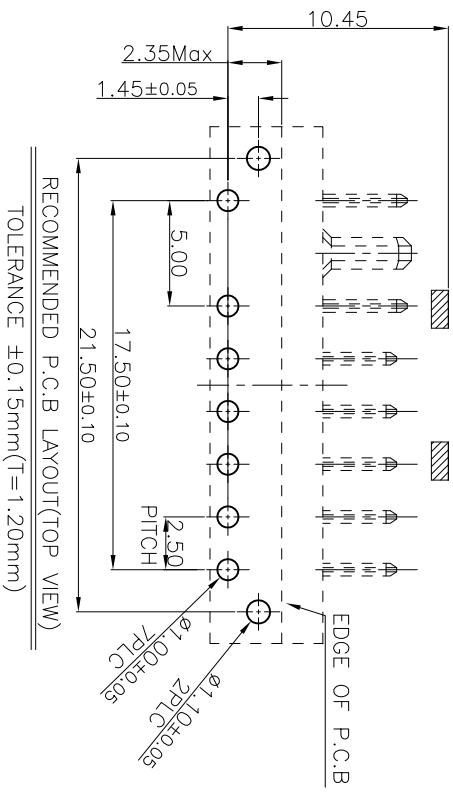
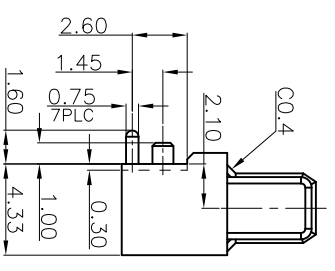
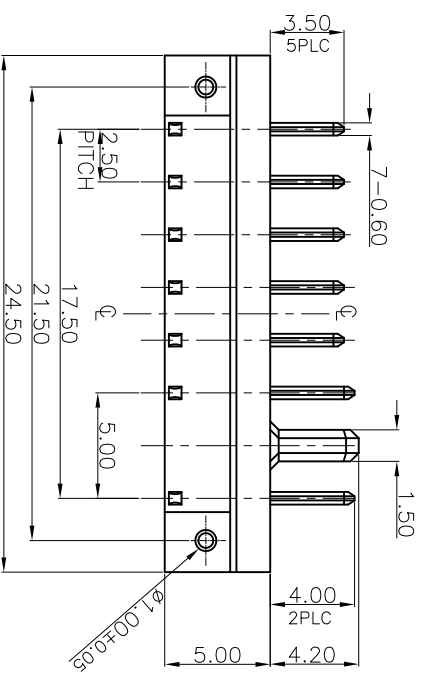
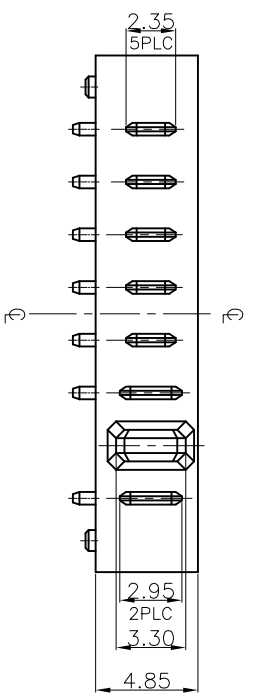
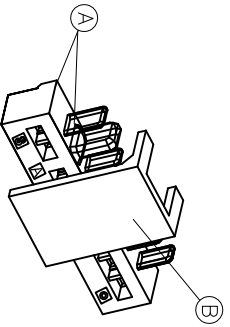
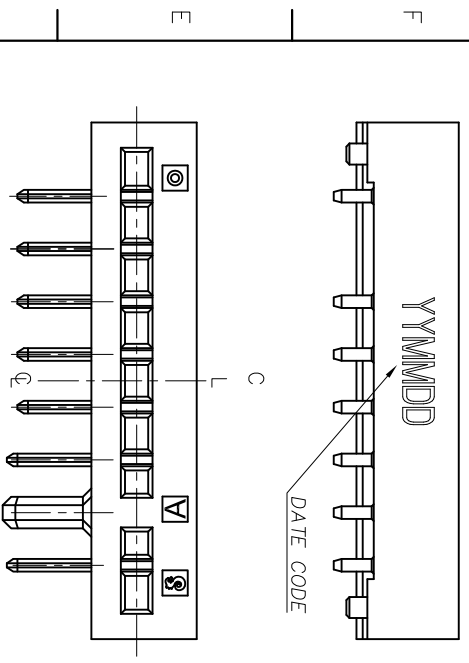


REV. ECN NO OR DESCRIPTION	REVISED	DATE
A PDR NO: S110523-5A	Lx	2011.08.11



- NOTES:
- ELECTRICAL PERFORMANCES:
 - CONTACT RESISTANCE: 20 mΩ MAX.
 - INSULATION RESISTANCE: 1000 MΩ MIN.
 - DIELECTRIC WITHSTANDING VOLTAGE: 1000V AC FOR 1 MINUTE.
 - HALOGEN FREE PRODUCT IDENTIFICATION MARK ON JACK:
 - HALOGEN FREE PRODUCT IDENTIFICATION LABEL ON PACKAGING:



B	COVER	1	HIGH TEMPERATURE THERMOPLASTIC,UL 94V-0	BLACK
A	INSERT-MOLDING (BODY+TERMINAL)	7	BRASS,T=0.60±0.02	GOLD FLASH OVER IN 50 μ"
NO	DESCRIPTION	QTY	MATERIAL	PLATING & COLOR
UNLESS OTHERWISE SPECIFIED TOLERANCES				
DECIMALS: ANGLES:				
X.X	:±0.25	X	:±2°	
X.XX	:±0.15	X.X	:±1°	
X.XXX	:±0.10	X.XX	:±0.5°	
Singtron Enterprise Co., Ltd. 信音企業股份有限公司 MALE BATTERY CONNECTOR DWN Lx PART NO. 2BA3015-107111F CHKD Boye-Qi SCALE:4:1 UNIT: mm APVD Tony-Lee SIZE: A3 SHEET:1 OF 1 REV:A CUSTOMER COPY				