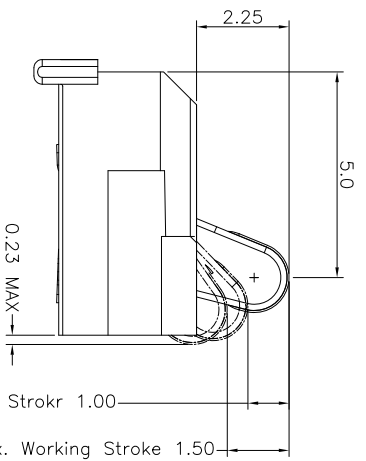
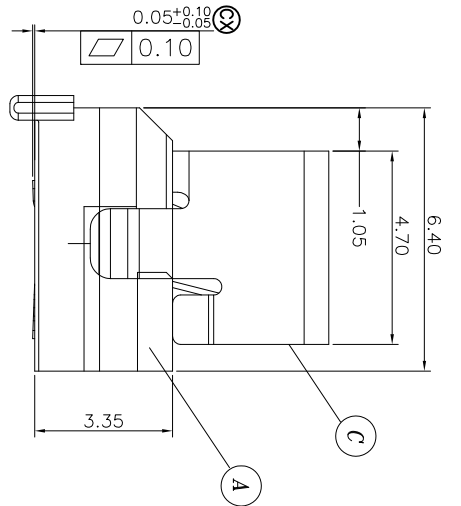
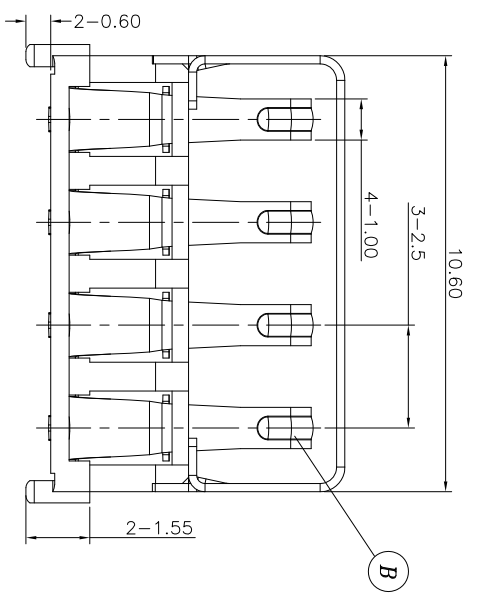
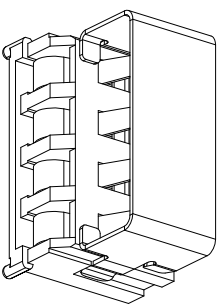
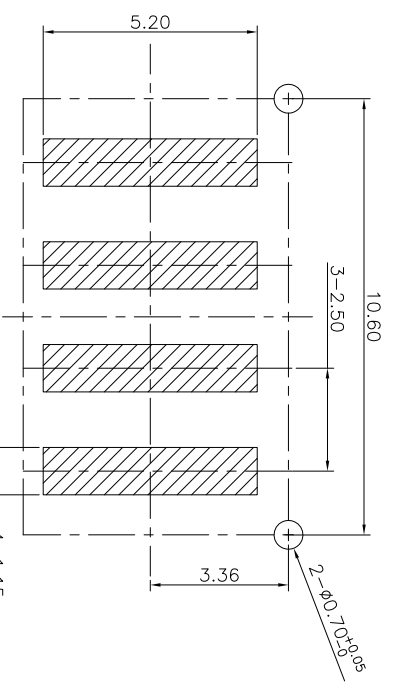
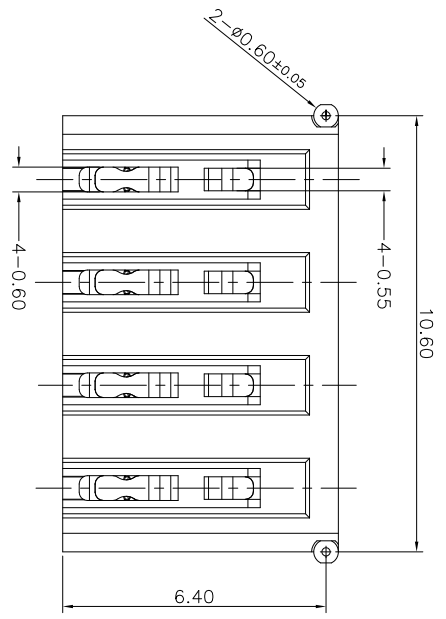


REV/ECN	NO OR DESCRIPTION	REVISED	DATE
A	PDR No:1100129-5B	H.M.JIANG	2010.10.06



Normal Working Strokr 1.00
Max. Working Stroke 1.50



SPECIFICATIONS:
1. ELECTRICAL CHARACTERISTICS:
1-1. RATING: 150V AC 2.0A
1-2. CONTACT RESISTANCE: 30 mΩ MAX.(INITIAL) ; 50 mΩ MAX.(AFTER LIFE TEST)
1-3. INSULATION RESISTANCE: 1000 MΩ MIN.
2. MECHANICAL CHARACTERISTICS:
2-1. NORMAL FORCE : 200 g MIN.
3. LIFE TEST: 5,000 CYCLES MIN.
4. OTHER GENERAL SPEC. TO REFER "2BA3021-104111 SPEC".
5. TO CONFORM TO SINGATRON HAZARDOUS SUBSTANCE FREE SPEC.
6. HALOGEN FREE PRODUCT IDENTIFICATION MARK ON PRODUCT: ☉
7. HALOGEN FREE PRODUCT IDENTIFICATION LOGO ON PACKING: 🌐

RECOMMEND P.C.B LAYOUT(TOP VIEW)
TOLERANCE ±0.05mm

C	COVER	1	STAINLESS, T=0.2	
B	CONTACT	4	COPPER ALLOY, T=0.15	10μm GOLD PLATING ON CONTACT AREA 6/7 ON SOLDER TAIL AREA ALL OVER SOLDER NICKEL PLATING
A	BODY	1	HIGH TEMP. THERMOPLASTIC	BLACK
NO	DESCRIPTION	QTY	MATERIAL	PLATING & COLOR
UNLESS OTHERWISE SPECIFIED TOLERANCES				
Singatron Enterprise Co., Ltd. 信音企業股份有限公司				
TITLE BATTERY CONN. 4PIN				
DECIMALS:		ANGLES:		
X	:±0.5	X	:±2°	
XX	:±0.3	X.X	:±1'	
X:XX	:±0.2			
DWN		H.M.JMNG		
CHKD		SCALE 1:1		
APVD		UNIT: mm		
		SIZE: A3		
		SHEET: 10F1		
		REV: A		

UNLESS OTHERWISE SPECIFIED TOLERANCES

CUSTOMER COPY

