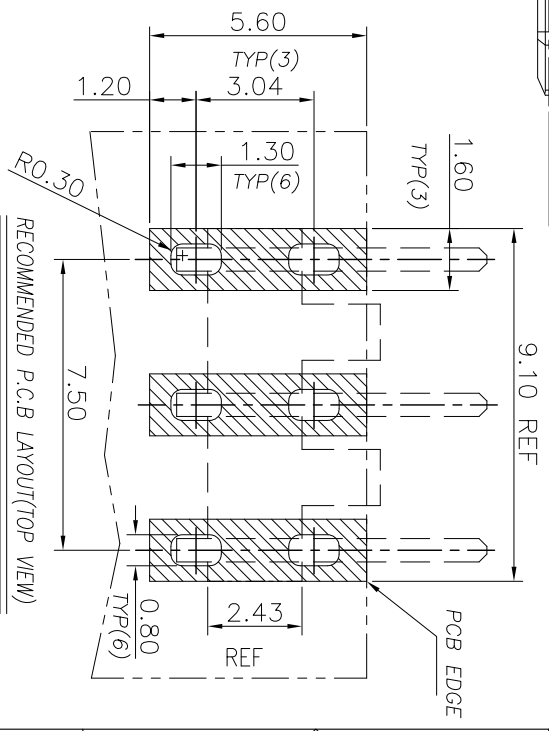
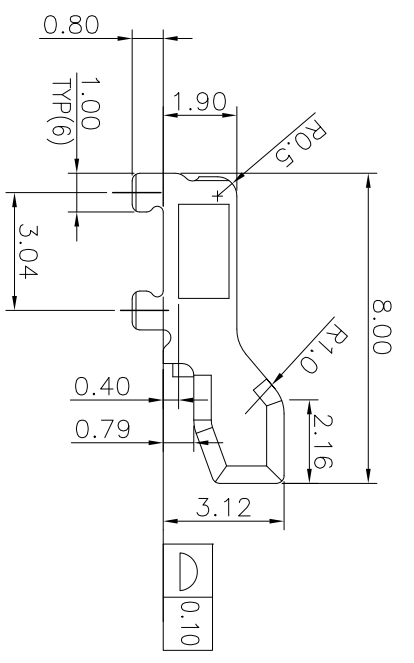
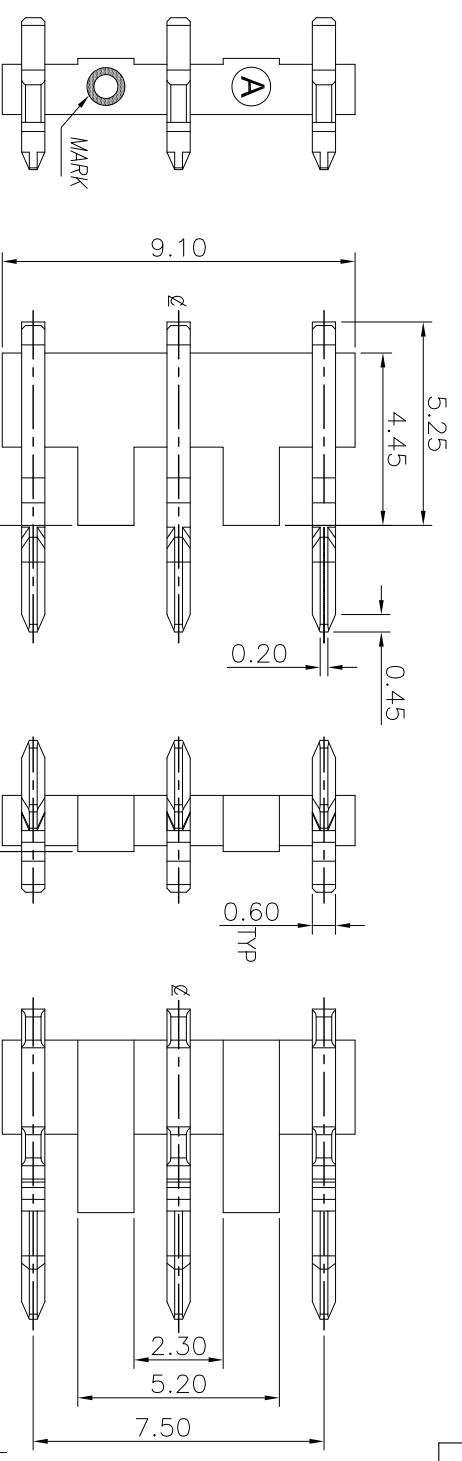


REV.	ECN NO OR DESCRIPTION	REVISED	DATE
A	PDR NO:S100423-1A	Bruce	2010.08.04



SPECIFICATIONS:

- ELECTRICAL CHARACTERISTICS:**
 - 1-1. DIELECTRIC WITHSTANDING VOLTAGE: 500V AC FOR ONE MINUTE
 - 1-2. INSULATION RESISTANCE: 100MΩ MIN. MEASURED BY 500 VDC
2. TO CONFORM TO SINGATRON HAZARDOUS SUBSTANCE FREE SPEC.
3. HALOGEN FREE PRODUCT IDENTIFICATION MARK ON JACK:
4. HALOGEN FREE PRODUCT IDENTIFICATION LABEL ON PACKAGING:
5. FOR REFLOW SOLDERING LEAD-FREE PROCESS.

B	CONTACT TERMINAL	3	COPPER ALLOY 0.6T	GOLD FLASH OVER NI 50u"
A	BODY	1	HIGH THERMOPLASTIC TEMP. UL 94V-0	BLACK
NO	DESCRIPTION	QTY	MATERIAL	PLATING & COLOR
UNLESS OTHERWISE SPECIFIED TOLERANCES				
DECIMALS: ANGLES:				
X	:±0.50	X	:±2°	
X.X	:±0.30	X.X	:±1'	
X.XX	:±0.20			
TITLE: 3 PIN BATTERY CONNECTOR				
DWN	BRUCE	PART NO. 2BA3024-003111		
CHKD	BOLE	SCALE: N/A	UNIT: mm	
APVD	MAX	SIZE: A3	SHEET: 1 OF 1	REV: A
SINGATRON ENTERPRISE CO., LTD. 信晉企業股份有限公司				
CUSTOMER COPY				