

REV	ECN NO	OR DESCRIPTION	REVISED	DATE
A.	PDR NO: T111018-5A		fly-iliu	2012.3.12
B.	ECN NO: S120337		fly-iliu	2012.4.10
C.	ECN NO: S120461		Zichen	2019.2.15

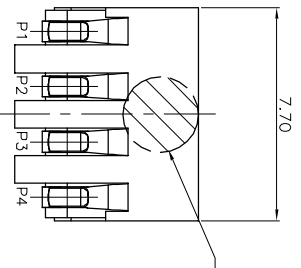
SPECIFICATIONS:

1. ELECTRICAL CHARACTERISTICS:

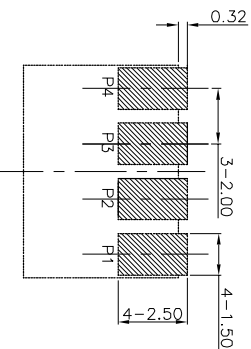
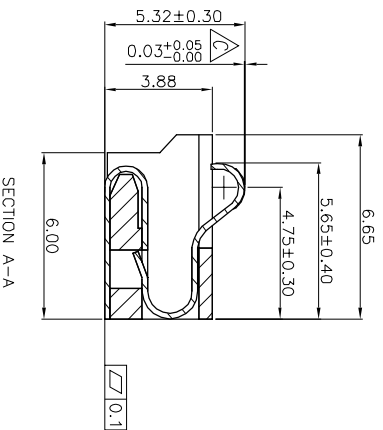
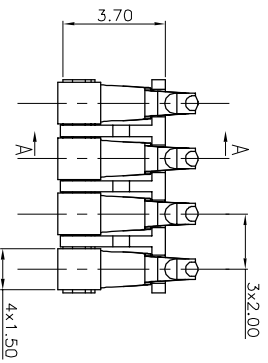
- 1-1. CONTACT RESISTANCE: $30m\Omega$ MAX.
- 1-2. DIELECTRIC WITHSTANDING VOLTAGE: 100V AC FOR 1 MINUTE
- 1-3. INSULATION RESISTANCE: $100M\Omega$ MIN.

2. MECHANICAL CHARACTERISTICS:

- 2-1 POSITIVE/NEGATIVE CONTACT DEFLECTION/FORCE: $0.63mm/50gf$ (MIN); $1.0mm/80gf$ (NOM) AND $1.37mm/130gf$ (MAX)
- 2-2 TENSION FORCE: $140gf$ MIN
- 3. DURABILITY: 5,000 CYCLES.
- 4. OPERATING TEMPERATURE RANGE: $-30^{\circ}C \sim +60^{\circ}C$;
- STORAGE TEMPERATURE RANGE: $-55^{\circ}C \sim +85^{\circ}C$
- 5. TO CONFORM TO SINGATRON HAZARDOUS SUBSTANCE FREE SPEC.
- 6. HALOGEN PRODUCT IDENTIFICATION MARK ON JACK:
- 7. HALOGEN PRODUCT IDENTIFICATION LABEL ON PACKAGING:
- 8. FOR REFLOW SOLDERING LEAD-FREE PROCESS.
- 9. PACKAGING : TAPE & REEL.

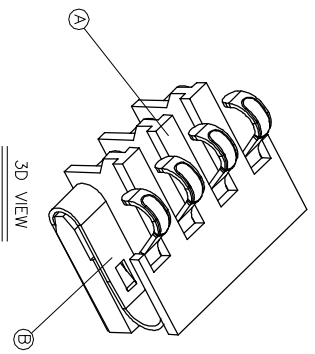
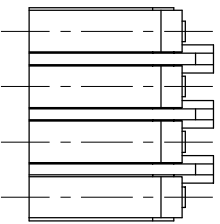


PICK AD PLACE LOCATION DIA 3.00
KEEP OUT AREA, MARKING GATE ETC



Recommended P.C.B Layout (TOP VIEW)

TOLERANCE = ± 0.03



B	TERMINAL	4	Ti-Cu, T=0.20	Alt: 10µm PLATING ON CONTACT AREA. Melt Sn 60~120µm PLATED ON SOLDERING. 50µm Min NICKEL UNDER PLATING OVERALL.
A	BODY	1	HIGH TEMP	BLACK
NO	DESCRIPTION	QTY	MATERIAL	PLATING & COLOR
UNLESS OTHERWISE SPECIFIED TOLERANCES				
			Singatron Enterprise Co., Ltd. 信晉企業股份有限公司	
DECIMALS: ANGLES:				
X	:±0.5	X	:±2°	
X.X	:±0.3	X.X	:±1°	
X.XX	:±0.2			
TITLE		BATTERY CONNECTOR		
DWN	Zichen	PART NO: 2BA3038-004111F		
CHKD	James	SCALE: 4:1 UNIT: mm		
APVD	Boye	SIZE: A3	SHEET: 1 OF 1	REV: C

CUSTOMER COPY