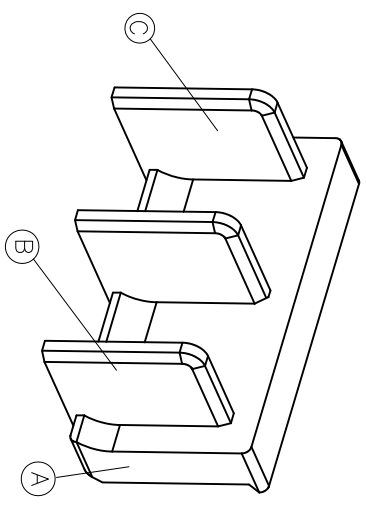
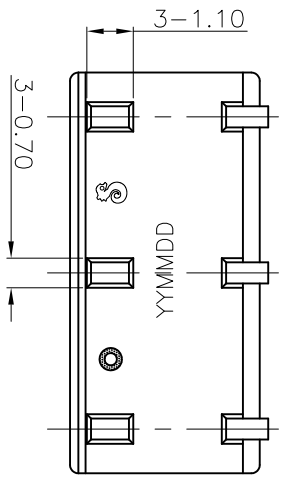
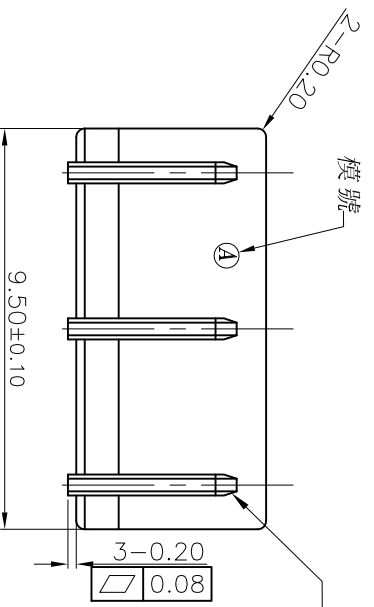
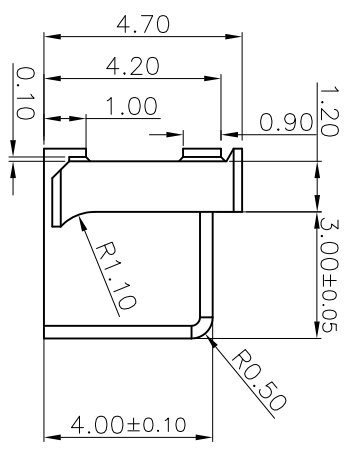
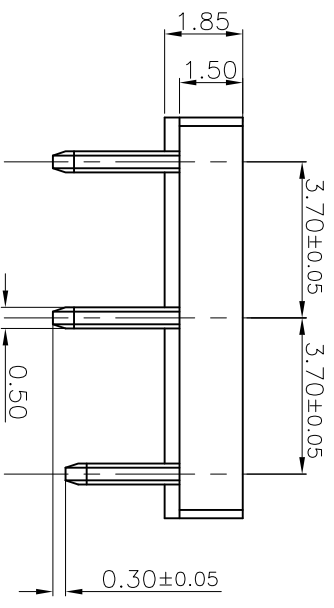


REV.	ECN NO	OR DESCRIPTION	REVISED	DATE
A	PDR NO:T111114-3A	fly-llu	2012.3.12	

- SPECIFICATIONS:
1. ELECTRICAL CHARACTERISTICS:
- 1-1. CONTACT RESISTANCE: 30m Ω MAX.
 - 1-2. DIELECTRIC WITHSTANDING VOLTAGE: 100VAC FOR 1 MINUTE
 - 1-3. INSULATION RESISTANCE: 150VDC 100M Ω MIN .
 - 2. OPERATING TEMPERATURE RANGE: -40°C ~ +85°C;
 - 3. TO CONFORM TO SINGATRON HAZARDOUS SUBSTANCE FREE SPEC.
 - 4. HALOGEN PRODUCT IDENTIFICATION MARK ON JACK: Ⓢ
 - 5. HALOGEN PRODUCT IDENTIFICATION LABEL ON PACKAGING: Ⓢ
 - 6. DATE : YYMMDD-
 - 7. PACKAGING : TAPE & REEL.



3D VIEW



NO	DESCRIPTION	QTY	MATERIAL	PLATING & COLOR
C	L-TERMINAL	2	C2680-H T=0.5±0.02	GOLD PLATING
B	S-TERMINAL	1	C2680-H T=0.5±0.02	GOLD PLATING
A	BODY	1	LCP E130I+30%GF	BLACK

UNLESS OTHERWISE SPECIFIED TOLERANCES

Singatron Enterprise Co., Ltd.
信晉企業股份有限公司

BATTERY CONNECTOR

DECIMALS:	ANGLES:	TITLE
X :±0.5 X :±2'	X :±2'	DWN fly 2012.4.9
X.X :±0.3 X.X :±1'		CHKD boye 2012.4.9 SCALE:8:1 UNIT: mm
X.XX :±0.2		APVD kmv 2012.4.9 SIZE: A3 SHEET:1 OF 1 REV: A

CUSTOMER COPY