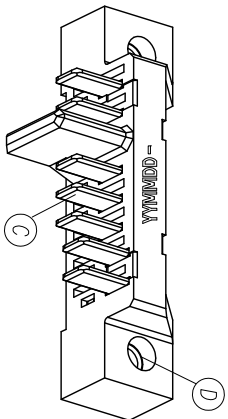
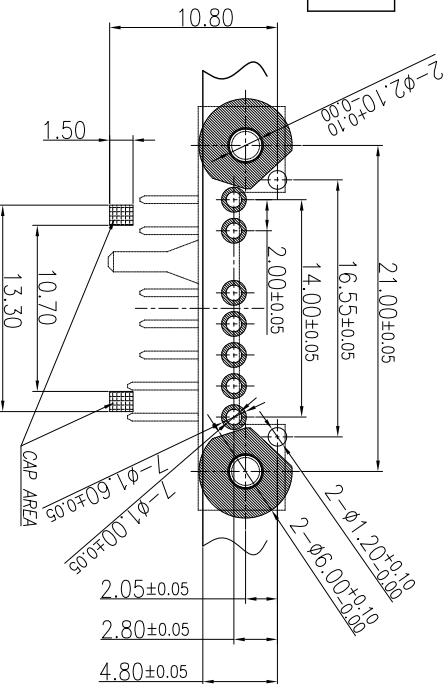
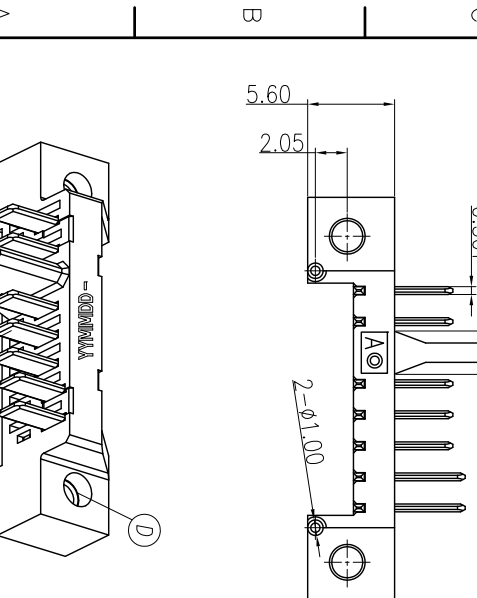
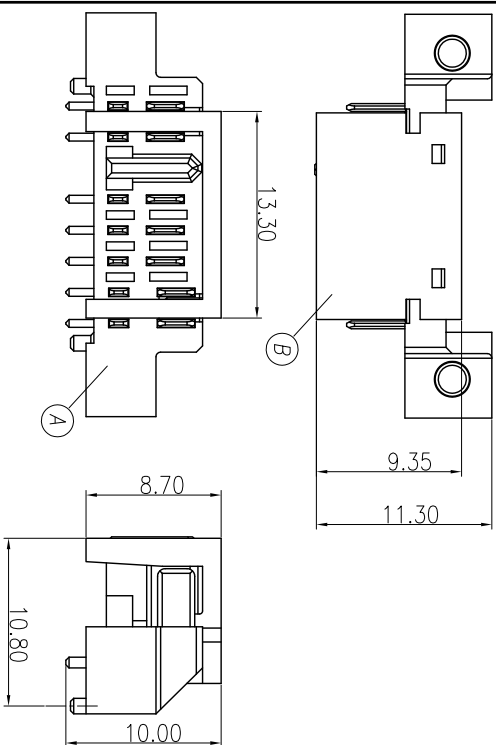
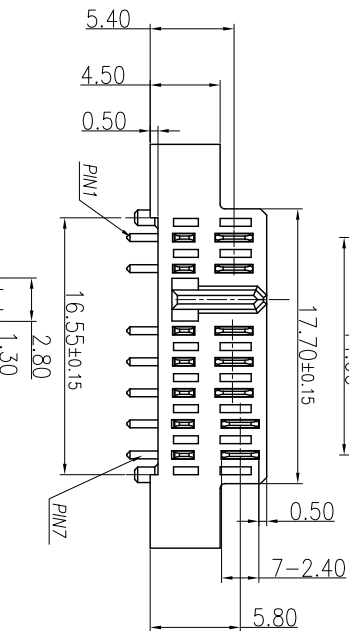
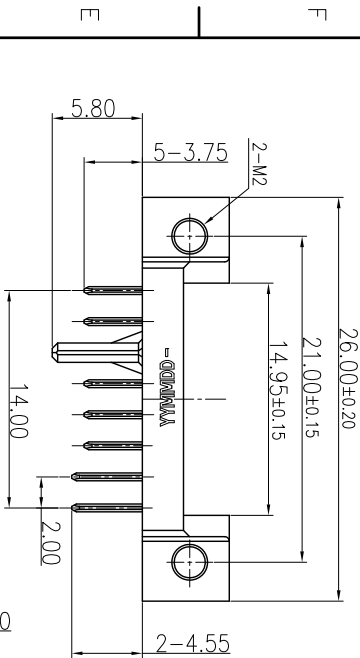
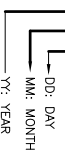


REV	ECN NO OR DESCRIPTION	REVISED	DATE
A	PDR NO: T130125-1A	Springwu	2013.05.10

- NOTES:
- ELECTRICAL PERFORMANCES:
 - 1.1 CONTACT RESISTANCE: 20 mΩ MAX.
 - 1.2 INSULATION RESISTANCE: 1000 MΩ MIN. BY 500V DC.
 - 1.3 DIELECTRIC WITHS TANDING VOLTAGE: 500V AC FOR 1 MINUTE.
 - HALOGEN FREE PRODUCT IDENTIFICATION MARK ON JACK:
 - HALOGEN FREE PRODUCT IDENTIFICATION LABEL ON PACKAGING:
 - PRINTED DATE CODE "MMDDYY" ON TOP OF CONNECTOR.

DD: DAY
MM: MONTH
YY: YEAR



成品加CAP示意图
SCALE 1:1

NO	DESCRIPTION	QTY	MATERIAL	PLATING & COLOR
D	NUT	2	COPPER ALLOY	Ni 50u"
C	TERMINAL	7	COPPER ALLOY	COLD FLUSH ON CONTACT AREA MATE. SN 120U" ON SOLDER TAIL AREA ALL OTHER Ni 50U"
B	CAP	1	HIGH TEMPERATURE THERMOPLASTIC, UL 94V-0	BLACK
A	BODY	1	HIGH TEMPERATURE THERMOPLASTIC, UL 94V-0	BLACK

UNLESS OTHERWISE SPECIFIED TOLERANCES

DECIMALS: ANGLES:

X :±0.5 X :±2°
X X :±0.3 X X :±1°
X XX :±0.2

Singatron Enterprise Co., Ltd.
信譽企業股份有限公司

TITLE: BATTERY CONN. MALE, DIP
DWG: Springwu PART NO. 2BA3057-007111F
CHKD: Sky SCALE: 3:1 UNIT: mm
APVD: Lussen SIZE: A3 SHEET: 1 OF 1 REV: A

CUSTOMER COPY