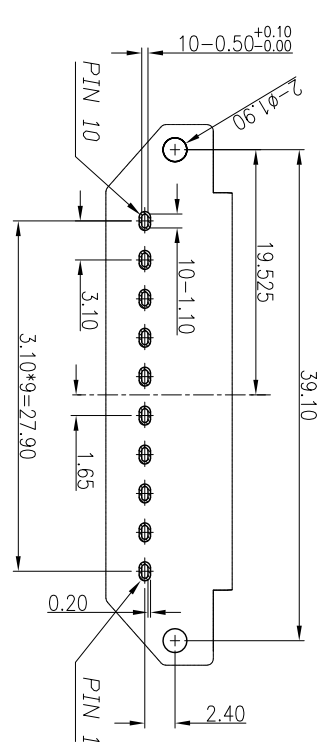
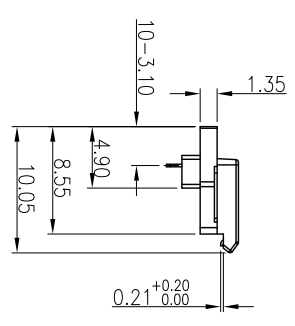
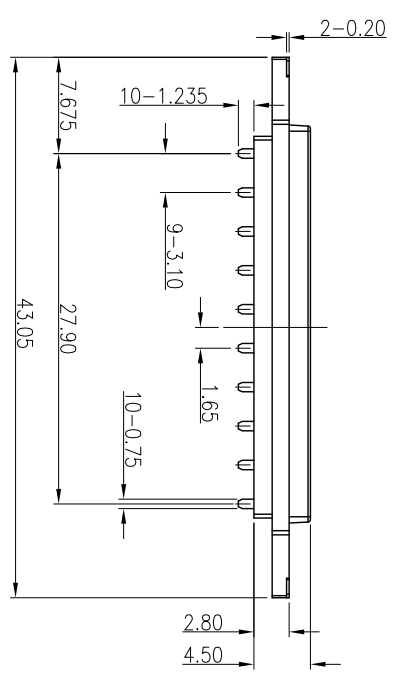
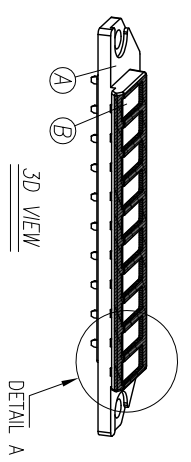
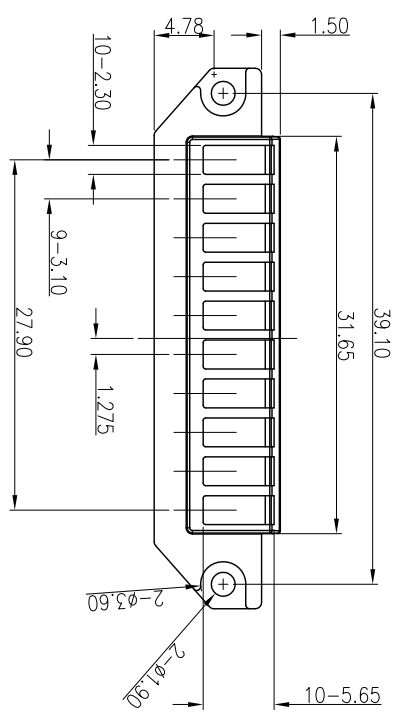


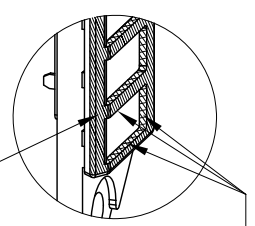
REV.	ECN NO OR DESCRIPTION	REVISED	DATE
A	PDR NO: T130702-1A	Kevin	2014.01.06
B	ECN NO: S140707	Kevin	2014.07.03

**SPECIFICATIONS:**

1. WATERPROOF RATE: IPX5/X7
2. CURRENT RATING: 2A
3. TO CONFORM TO SINGATRON HAZARDOUS SUBSTANCE FREE SPEC.
4. HALOGEN FREE PRODUCT IDENTIFICATION MARK ON PRODUCT:
5. HALOGEN FREE PRODUCT IDENTIFICATION LOGO ON PACKAGING:
6. "⊗" REPRESENT CRITICAL DIMENSIONS.
7. "▽" REPRESENT CKK DIMENSIONS.

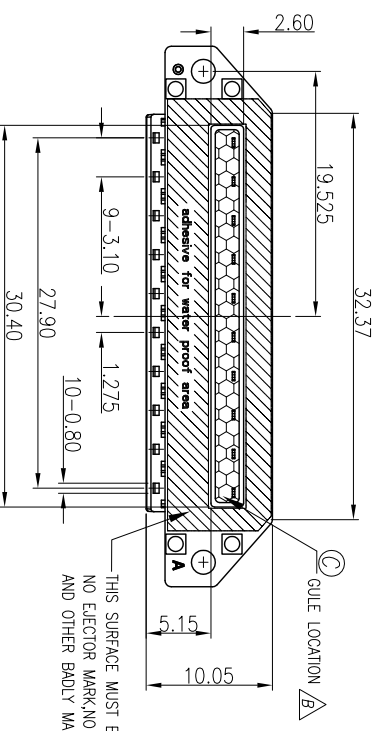


Texture:TH-105(shine-sided)



THIS SURFACE MUST BE SMOOTH,  
NO EJECTOR MARK,NO MOLD CAVITY NUMBER  
AND OTHER BADLY MARK.

DETAIL A  
SCALE 2:1



RECOMMENDED PCB LAYOUT  
TOP VIEW ; TOL.±0.05

C	GULE	/	EPOXIDE	BLACK
B	TREMNAL	10	COPPER ALLOY 0.2T	Au 5u" Min. Pd/Ni 30u" Min. ON CONTACT AREA: ALL OVER Ni 50u" Min.
A	BODY	1	HIGH TEMP-THERMOPLASTIC UL 94V-0	BLACK
NO	DESCRIPTION	QTY	MATERIAL	PLATING & COLOR
UNLESS OTHERWISE SPECIFIED TOLERANCES				
DECIMALS: ANGLES:				
X	±0.5	X	±2°	
X.X	±0.3	X.X	±1'	
X.XX	±0.2			
TITLE: 10 PIN I/O CONNECTOR				
DMN	Kevin	PART NO.2BA38062-010111F		
CHKD	Bruce	SCALE:4:1 UNIT: mm		
APVD	Lussen	SIZE: A3 SHEET:1 OF 1 REV: B		
CUSTOMER COPY				

Singatron Enterprise Co., Ltd.  
信音企業股份有限公司

