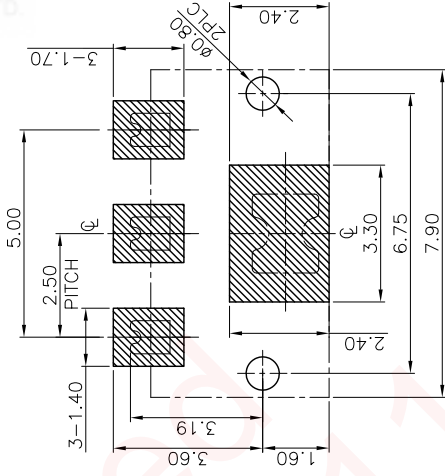
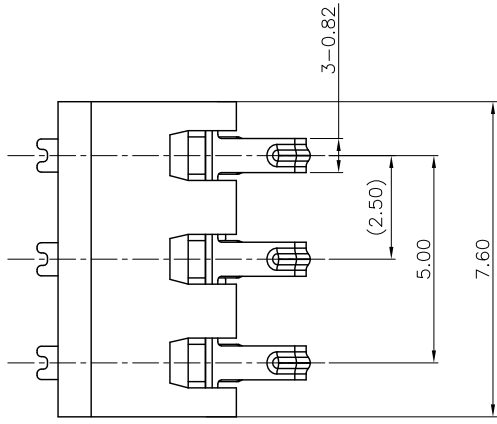
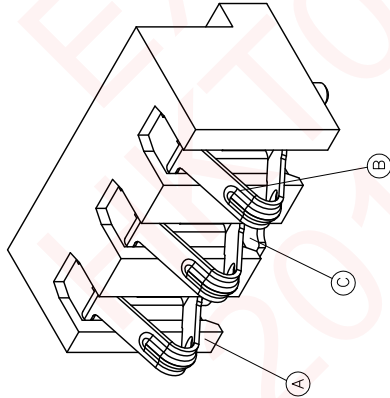


REV. ECN NO OR DESCRIPTION	REVISED	DATE
A PDR NO.T141111-6A	Ron	2015.07.11

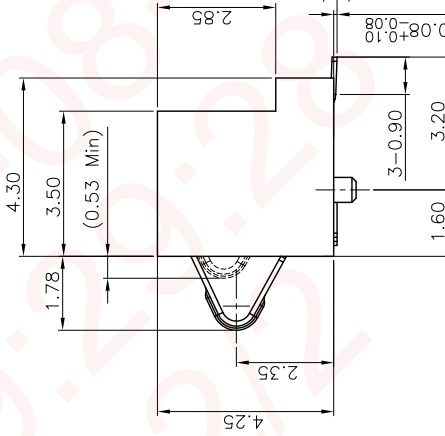
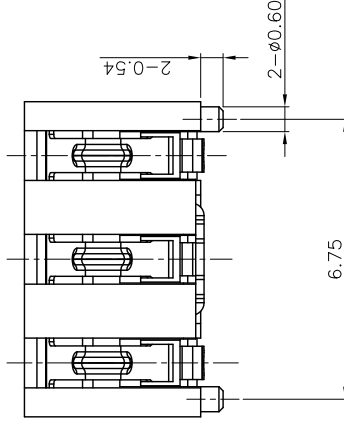
NOTES:

- ELECTRICAL PERFORMANCES:
 - CONTACT RESISTANCE: 50 mΩ MAX.
 - INSULATION RESISTANCE: 1000 MΩ MIN.
 - DIELECTRIC WITHSTANDING VOLTAGE : 250V AC MIN. FOR ONE MINUTE.
- MECHANICAL PERFORMANCES:
 - REACTION FORCE: 100g MIN.(WORKING DISTANCE:1.0mm)
 - MECHANICAL OPERATION: 5000 CYCLES.
 - OPERATING TEMPERATURE: -40°C TO 85°C.
- HALOGEN FREE PRODUCT IDENTIFICATION MARK ON PRODUCT:
- HALOGEN FREE PRODUCT IDENTIFICATION LABEL ON PACKAGING:
- FOR REFLOW SOLDERING LEAD-FREE PROCESS.
- SOLDERING HEAT RESISTANCE: 260°C 10 SEC.
- TO CONFORM TO THE SINGATRON HSF SPECIFICATION.



RECOMMENDED P.C.B LAYOUT(TOP VIEW)

TOLERANCE ±0.05mm



C PAD	1	BRASS T=0.20	Matte Sn 120u" Min Over Nl 50u"
B CONTACT	3	COPPY ALLOY T=0.12	Au 3u" ON CONTACT AREA; Matte Sn 120u" ON SOLDER TAIL; ALL OVER Nl 50u"
A BODY	1	HIGH THERMOPLASTIC UL94V-0	BLACK
NO	DESCRIPTION	QTY	MATERIAL
UNLESS OTHERWISE SPECIFIED TOLERANCES			
SINGATRON ENTERPRISE CO., LTD. 信晉企業股份有限公司			
DECIMALS:	ANGLES:	TITLE	
X :±0.5	X :±2°	2.50mm PITCH 3 PIN BATTERY CONN.	
XX :±0.3	XX :±1°	DWN	Ron
XXX :±0.2		CHKD	Sky
		APVD	Lussen
		UNIT:	mm
		SIZE:	A3
		SHEET:	1 OF 1
		REV:	A
CUSTOMER COPY			