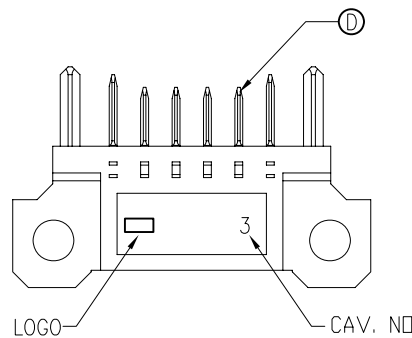
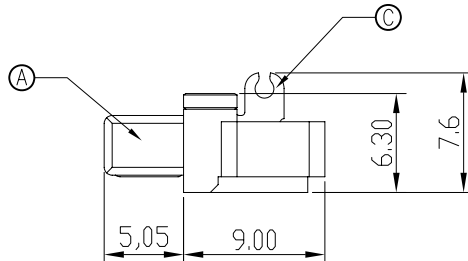
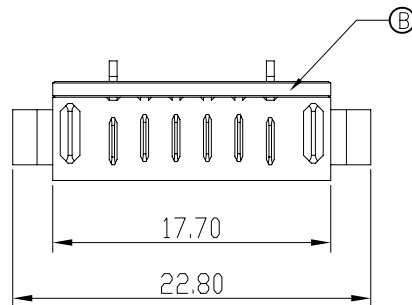
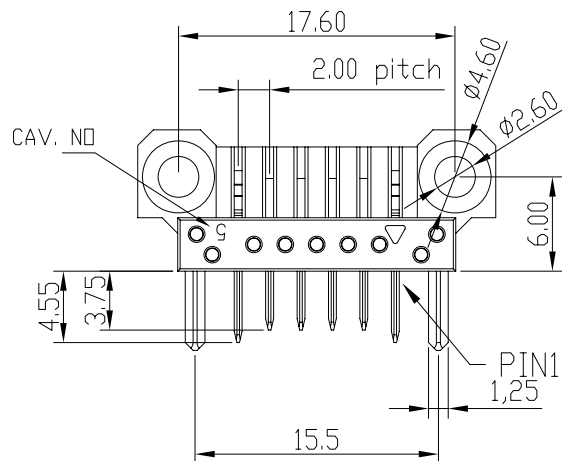



REV.	ECN NO OR DESCRIPTION	REVISED	DATE
A	PDR RELEASE	IVY-C	2012.12.24





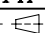
SPECIFICATIONS:

- VOLTAGE RATING: 30V DC MAX.
- CONTACT RESISTANCE: 20mΩ MAX.
- INSULATION RESISTANCE: 1000MΩ MIN. AT 500V DC.
- WITHSTANDING VOLTAGE: 1000V DC MIN./1 MINUTE.
- TO CONFORM TO THE SINGATRON HAZARDOUS SUBSTANCE FREE SPEC.
- OTHER GENERAL SPEC. TO REFER "2BA3Y06-006414F" SPEC".
- HALOGEN FREE PRODUCT IDENTIFICATION LABEL ON PACKAGING: 
- OPERATING TEMPERATURE: -40°C TO +85°C.
- PACKAGE: SEE "2BA3Y06-006414F" PACKAGE.
- FOR HAND SOLDERING LEAD-FREE PROCESS.

PART NO.

**2BA3Y06-006414F**

- SUFFIX: HALOGEN FREE
- PACKAGE  
4: BAG
- HOUSING COLOR  
1: BLACK
- CONTACT PLATING  
4: 5u" GOLD FLASH ON CONTACT AREA  
100u" TIN PLATED ON SOLDER AREA  
50u" NICKEL UNDERPLATING OVERALL.

D	TERMINAL-2	4	BRASS	SEE PART NO.
C	TERMINAL-1	2	BRASS	SEE PART NO.
B	COVER	1	HIGH TEMP. THERMOPLASTIC UL 94V-0	BLACK
A	HOUSING	1	HIGH TEMP. THERMOPLASTIC UL 94V-0	BLACK
NO	DESCRIPTION	QTY	MATERIAL	PLATING & COLOR
UNLESS OTHERWISE SPECIFIED TOLERANCES			 Singatron Enterprise Co., Ltd.  信音企業股份有限公司	
DECIMALS:		ANGLES:		TITLE
X	:±0.5	X	:±2°	6P BATTERY, PITCH 2.0mm, DIP
X.X	:±0.3	X.X	:±1°	DWN IVY-C 2012.12.24 <b>PART NO. 2BA3Y06-006414F</b>
X.XX	:±0.2			CHKD DAVID-T 2012.12.24 SCALE 3:1 UNIT: mm 
		APVD DAVID-T 2012.12.24	SIZE: A3	SHEET: 1 OF 1 <b>REV: A</b>

CUSTOMER COPY