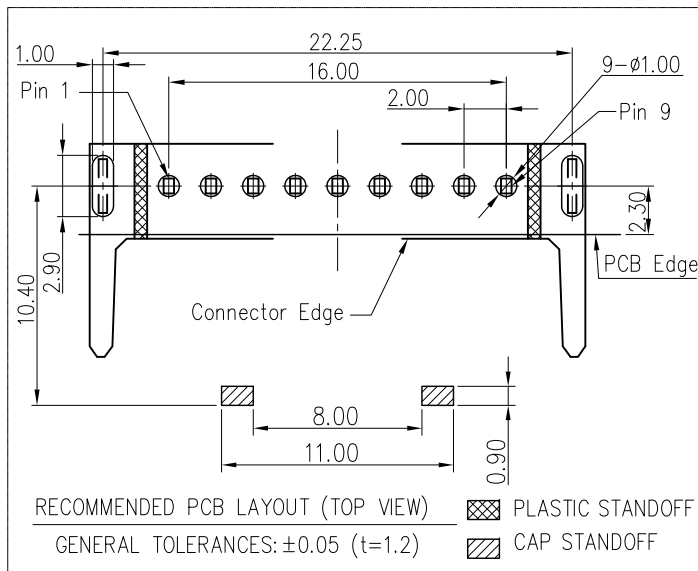
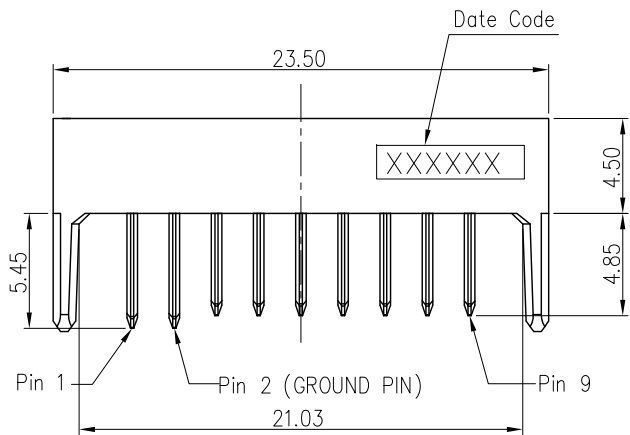
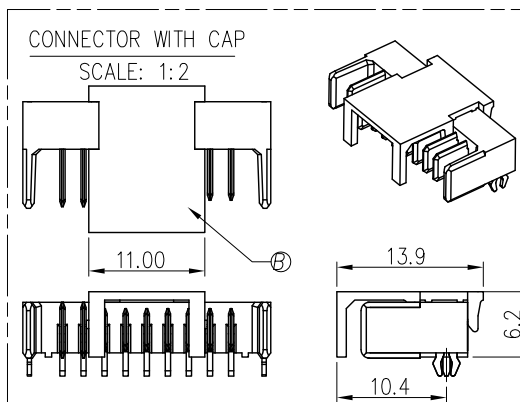
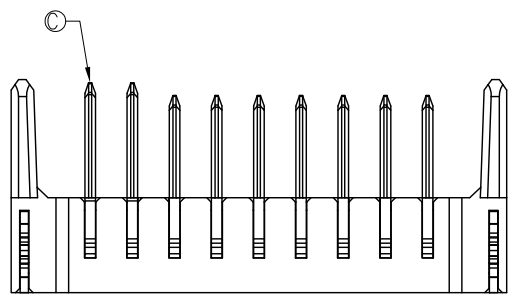
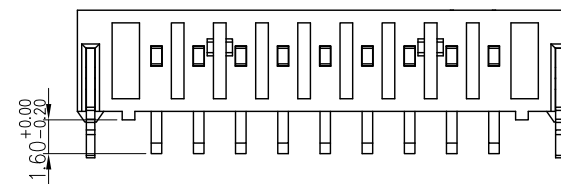
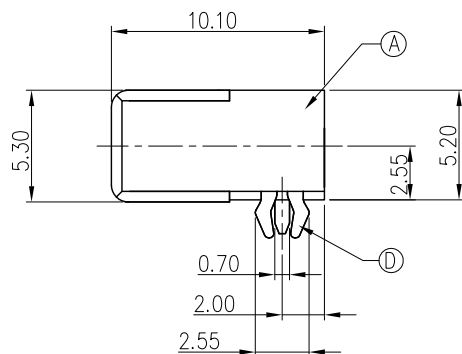
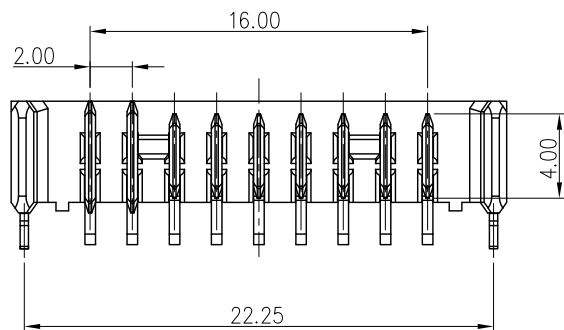


REV.	ECN NO OR DESCRIPTION	REVISED	DATE
A	PDR NO: T121218-5A	YUREN	2013.04.08
B	ECN NO: S130490	YUREN	2013.08.22



SPECIFICATIONS:

- ELECTRICAL CHARACTERISTICS:**
 - CURRENT RATING: 7.0AMP MAX PER CONTACT.
 - VOLTAGE RATING: 50V DC
 - CONTACT RESISTANCE: 25 mohm MAX.
 - DIELECTRIC WITHSTANDING VOLTAGE: 500V AC FOR 1 MINUTE
 - INSULATION RESISTANCE: 1000Mohm MIN(500V DC)
- MECHANICAL CHARACTERISTICS:**
 - DURABILITY: 5,000 CYCLES.
- ENVIRONMENTAL CHARACTERISTICS:**
 - STORAGE TEMPERATURE: -40°C TO +85°C.
 - OPERATION TEMPERATURE: -40°C TO +85°C.
- TO CONFORM TO SINGATRON HAZARDOUS SUBSTANCE FREE SPEC.
- HALOGEN Free PRODUCT IDENTIFICATION LABEL ON PACKAGING:
- FOR REFLOW SOLDERING LEAD-FREE PROCESS.
- DATE : YYMMDD



D	FORK	2	C2680 0.40T	MATTE-TIN 100U" PLATED ALL OVER Ni 50U"min UNDERPLATED
C	CONTACT 9PIN	9	C2680 0.50T	G/F AT CONTACT AREA, MATTE-TIN 100U"min AT TAIL Ni 50U"min UNDERPLATED
B	COVER	1	LCP+30%G.F UL94V-0	BLACK
A	HOUSING	1	LCP+30%G.F UL94V-0	BLACK
NO	DESCRIPTION	QTY	MATERIAL	PLATING & COLOR
UNLESS OTHERWISE SPECIFIED TOLERANCES		Singatron Enterprise Co., Ltd. 信音企業股份有限公司		
DECIMALS: ANGLES:		TITLE Battery Plug 9pin DIP Type Pitch:2.0		
X	:±0.5	X	:±2°	DWN YUREN PART NO. 2BA3Y09-009411F
X.X	:±0.3	X.X	:±1°	CHKD CERRY SCALE: 4:1 UNIT: mm
X.XX	:±0.2	APVD	MAX	SIZE: A3 SHEET: 1 OF 1 REV:B
CUSTOMER COPY				