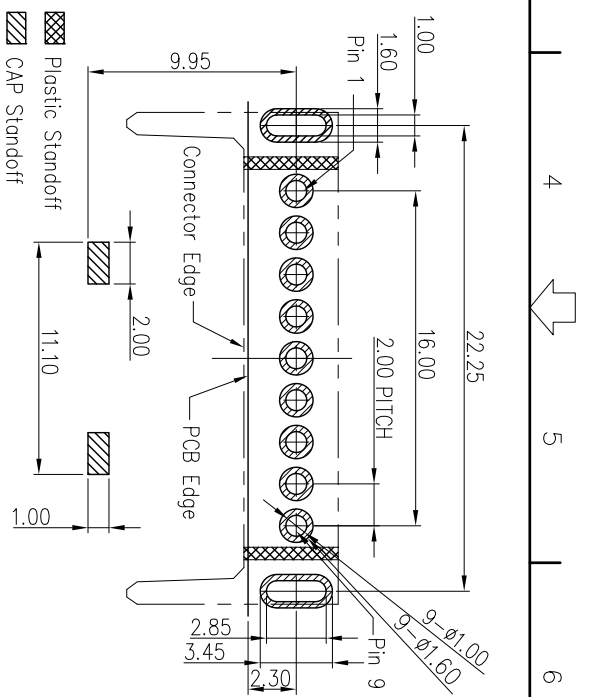
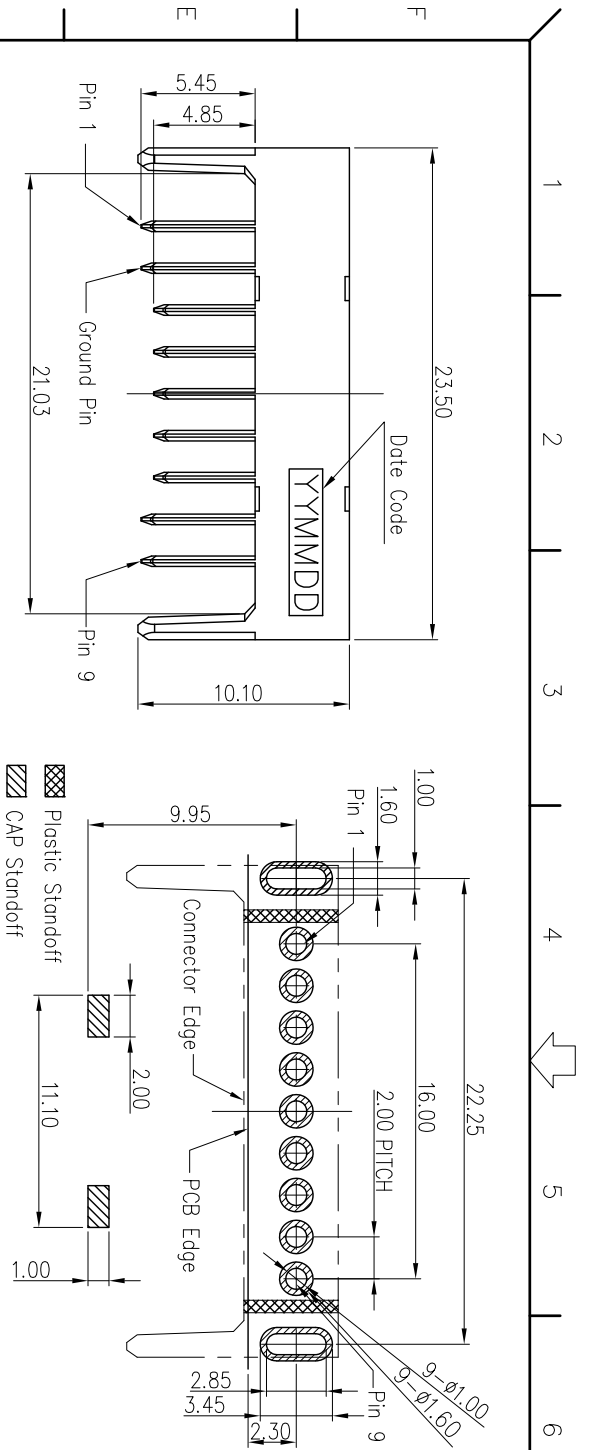
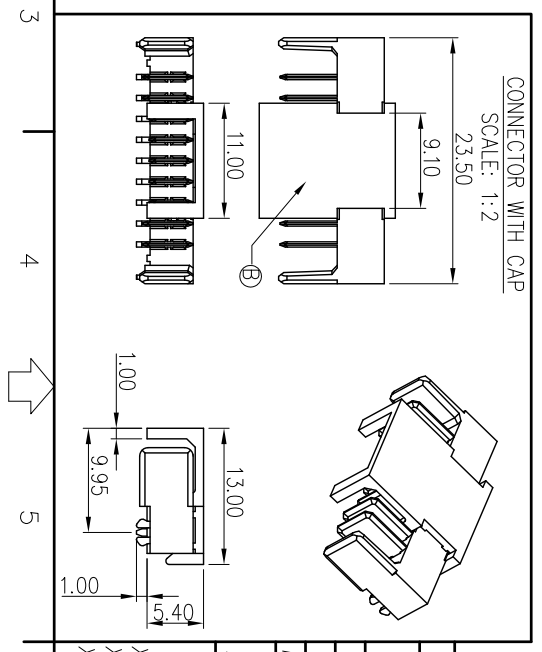
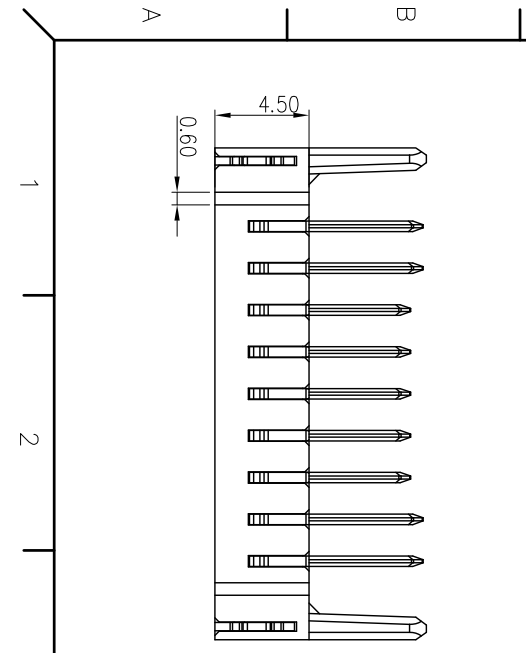
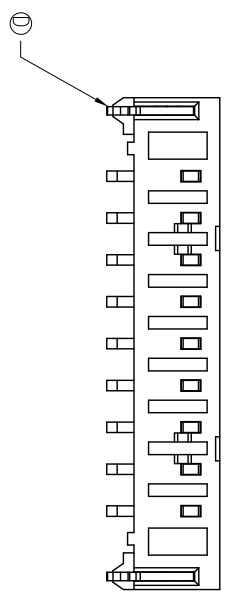
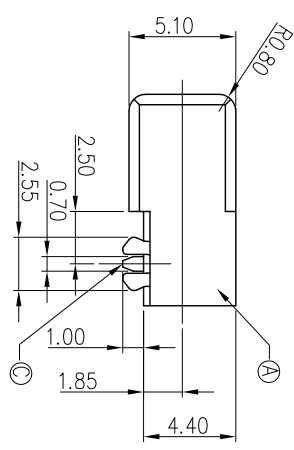
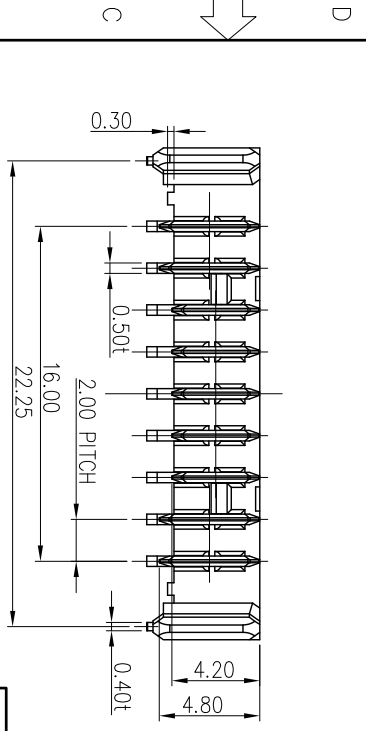


REV.	ECN NO OR DESCRIPTION	REVISED	DATE
A	PDR NO.: T130129-10A	YUREN	2013.07.22



RECOMMENDED PCB LAYOUT (TOP VIEW)  
GENERAL TOLERANCES: ±0.05 (≠1.0)

- NOTES:
1. MECHANICAL CHARACTERISTIC  
Durability: 5,000 Cycles.
  2. ELECTRICAL CHARACTERISTIC  
Contact Resistance: 25m Ohm Max.  
Insulation Resistance: 1000M Ohm Min  
Dielectric Withstanding Voltage: 500V AC Min
  3. TEMPERATURE  
Operating Temperature: -40°C~+85°C  
Storage Temperature: -40°C~+85°C
  4. PRINTED DATE CODE "YYMMDD" ON TOP OF CONNECTOR.
  5. HALOGEN FREE PRODUCT IDENTIFICATION LOGO ON PACKAGING.



NO	DESCRIPTION	QTY	MATERIAL	PLATING & COLOR
D	FORK	2	BRASS	MATE-TIN 90% Min PLATED OVER NI 50% Min.
C	CONTACT 9PIN	9	BRASS	SOLD FLASH ON CONTACT AREA. WAVE-TIN 100% MIN PLATED ON SOLDER AREA. ALL OVER 500 MIN NICKEL.
B	COVER	1	HIGH THERMOPLASTIC	UL94V-0 WHITE
A	HOUSING	1	HIGH THERMOPLASTIC	UL94V-0 BLACK
NO	DESCRIPTION			

UNLESS OTHERWISE SPECIFIED TOLERANCES

Singaton Enterprise Co., Ltd.  
信音企業股份有限公司

Battery Plug 9pin DIP Type Pitch: 2.0

TITLE	DWN	YUREN	PART NO. 2BA3Y10-009411F
CHKD	SOLDER	SCALE: 4:1	UNIT: mm
APVD	BOYE	SIZE: A3	SHEET: 10F1

REV: A

CUSTOMER COPY