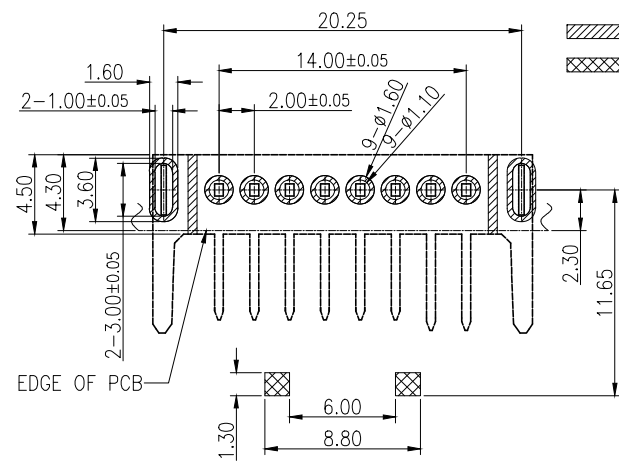
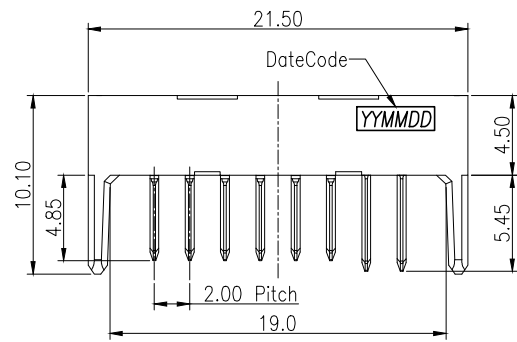


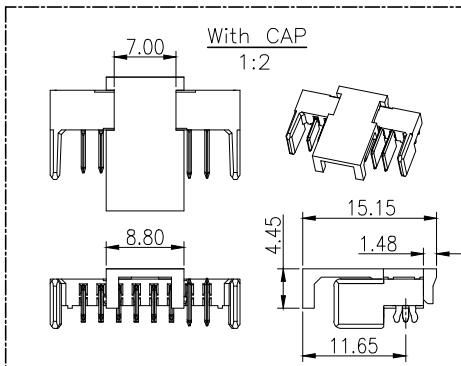
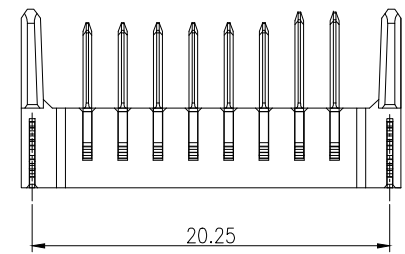
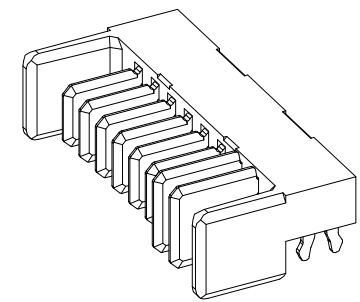
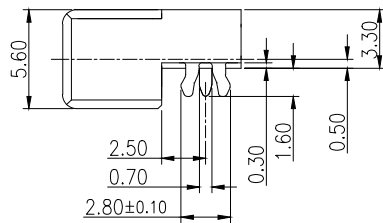
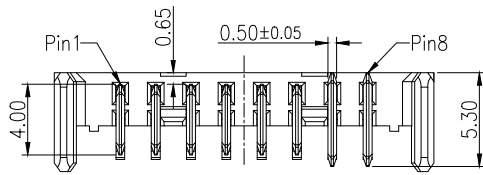
REV.	ECN NO OR DESCRIPTION	REVISED	DATE
A	PDR NO.T131114-4A	Dak	2014.02.19
B	ECN NO.S140711	YUREN	2014.09.25



Stand-Off(Product)
 Stand-Off(CAP)

- SPECIFICATIONS:**
- ELECTRICAL CHARACTERISTICS:**
 - CONTACT RESISTANCE: 30mΩ MAX.(INITIAL)
 - DIELECTRIC WITHSTANDING VOLTAGE: 500V AC FOR ONE MINUTE
 - INSULATION RESISTANCE: 1000MΩ MIN. MEASURED BY 500 VDC
 - MECHANICAL CHARACTERISTICS:**
 - INSERTION FORCE : 45N MAX.
 - WITHDRAWAL FORCE : 10N MIN.
 - LIFE TEST: 500 CYCLES MIN.**
 - OTHER GENERAL SPEC. TO REFER "2ST3Y13-018411F_SPEC".**
 - TO CONFORM TO SINGATRON HAZARDOUS SUBSTANCE FREE SPECIFICATION**
 - HALOGEN FREE PRODUCT IDENTIFICATION LOGO ON PACKAGING:**

RECOMMENDED PCB LAYOUT (TOP VIEW)
 GENERAL TOLERANCES:±0.05 (t=1.2)



NO	DESCRIPTION	QTY	MATERIAL	PLATING & COLOR
E	FORK	2	Brass 0.3T	Matt-Tin 100u" MIN PLATED ALL OVER
D	CONTACT-S	6	Brass 0.5T	G/F AT CONTACT AREA,MATT-TIN 100u" MIN AT TALL AND NI UNDERPLATED
C	CONTACT-B	2		
B	CAP	1	LCP+30%G.F	UL94V-0 BLACK
A	HOUSING	1	LCP+30%G.F	UL94V-0 BLACK

UNLESS OTHERWISE SPECIFIED TOLERANCES		Singatron Enterprise Co., Ltd. 信音企業股份有限公司	
DECIMALS:	ANGLES:	TITLE BATTERY 8Pin PLUG.DIP Type.CH=0.5mm	
X :±0.5	X :±2°	DWN	YUREN PART NO.2BA3Y13-018411F
X.X :±0.3	X.X :±1°	CHKD	Cerry SCALE 4 : 1 UNIT: mm
X.XX :±0.2		APVD	Liao SIZE: A4 SHEET: 10F1 REV:B
CUSTOMER COPY			