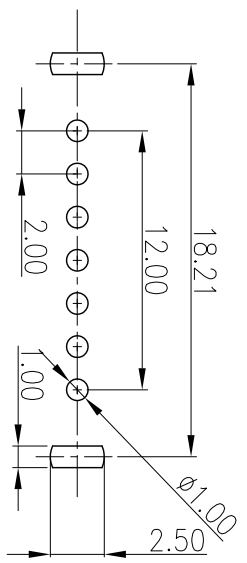
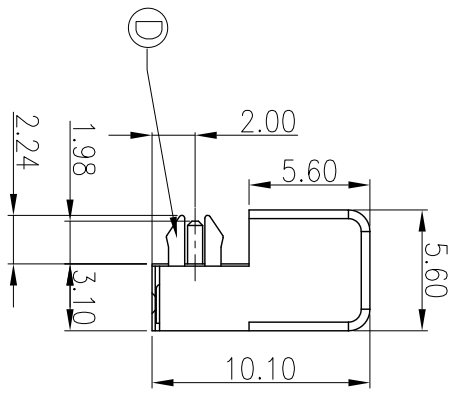
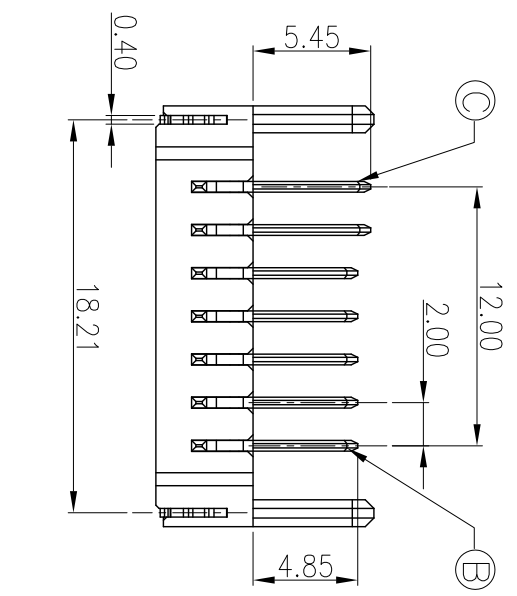
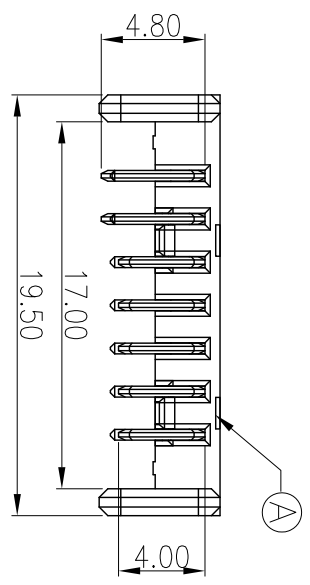




REV.	EGN NO.	OR DESCRIPTION	REVISED	DATE
A	PDR NO.S141127-5A		Anne	2015.02.10



RECOMMENDED PCB LAYOUT (TOP VIEW)
GENERAL TOLERANCES: ±0.05

- SPECIFICATIONS:
- ELECTRICAL CHARACTERISTICS:
 - CONTACT RESISTANCE: 30 mohm MAX.
 - DIELECTRIC WITHSTANDING VOLTAGE: 500V AC FOR 1 MINUTE
 - INSULATION RESISTANCE: 100 Mohm MIN (500V DC).
 - MECHANICAL CHARACTERISTICS:
 - DURABILITY: 5,000 CYCLES.
 - ENVIRONMENTAL CHARACTERISTICS:
 - STORAGE TEMPERATURE: -40°C TO +85°C.
 - OPERATION TEMPERATURE: -40°C TO +85°C.
 - TO CONFORM TO SINGATRON HAZARDOUS SUBSTANCE FREE SPEC.
 - HALOGEN PRODUCT IDENTIFICATION LABEL ON PACKAGING: 
 - FOR REFLOW SOLDERING LEAD-FREE PROCESS.

D	FORK	2	COPPER ALLOY	NICKEL PLATED ALL OVER
C	CONTACT	2	COPPER ALLOY	GOLD FLASH PLATED ON CONTACT AREA
B	CONTACT	5	COPPER ALLOY	GOLD FLASH PLATED ON SOLDER AREA
A	HOUSING	1	THERMOPLASTIC	ALL OVER NICKEL PLATED
NO	DESCRIPTION	QTY	MATERIAL	PLATING & COLOR
UNLESS OTHERWISE SPECIFIED TOLERANCES				
 Singatron Enterprise Co., Ltd. 信晉企業股份有限公司				
TITLE: Battery Plug 7pin DIP Type Pitch:2.0				
DWG: Anne				
PART NO.: 2BA3121-007411F				
CHKD: Boye				
APVD: Boye				
SCALE: 3:1				
SIZE: A3				
SHEET: 1 OF 1				
REV: A				

DECIMALS:	ANGLES:
X : ±0.5	X : ±2°
X.X : ±0.3	X.X : ±1°
X.XX : ±0.2	

CUSTOMER COPY