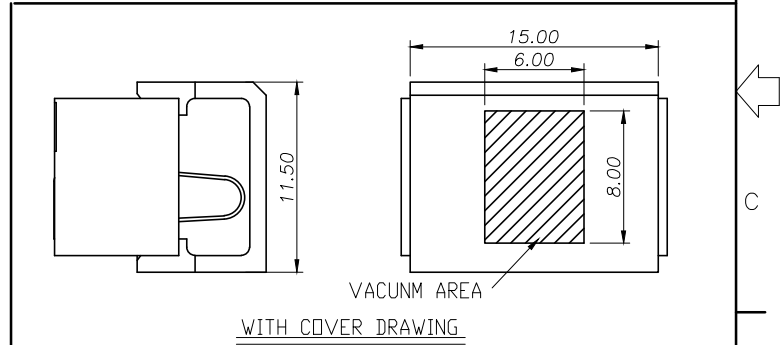
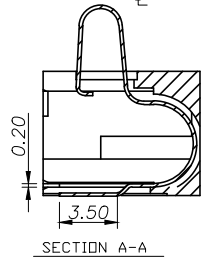
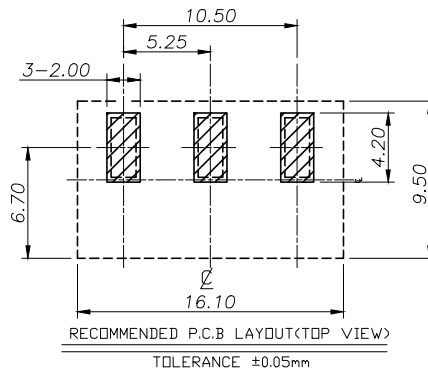
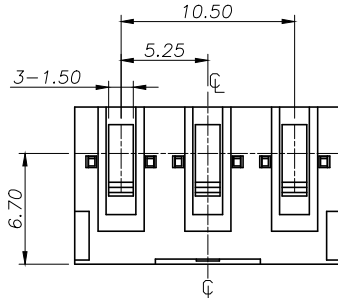
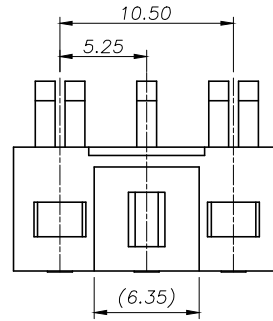
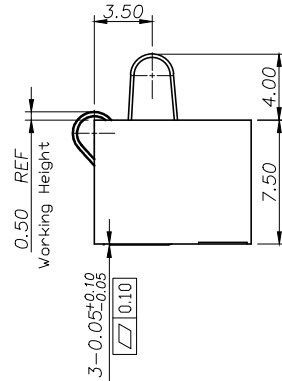
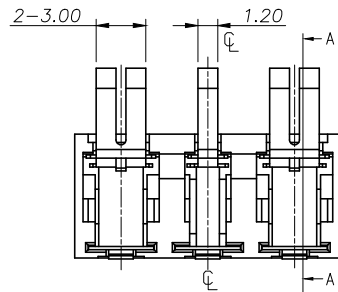
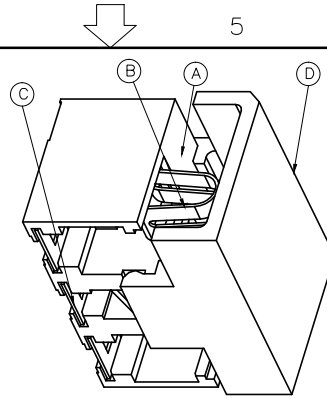
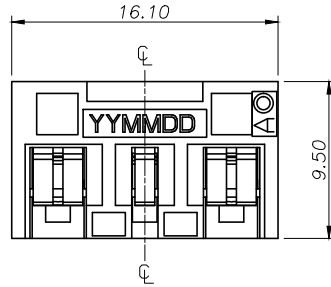


REV.	ECN NO OR DESCRIPTION	REVISED	DATE
A	PDR NO:S160217-1A	jttlucky	2016.09.26

NOTES:

- ELECTRICAL PERFORMANCES:
  - CURRENT RATING: 3.5A MAX.
  - CONTACT RESISTANCE: 100 mΩ MAX(INITIAL).
  - INSULATION RESISTANCE: 100 MΩ MIN.
  - DIELECTRIC WITHS TANDING VOLTAGE: 250V AC FOR 1 MINUTE.
- MECHANICAL PERFORMANCES:
  - NORMAL FORCE: 50g MIN(WORKING POSITION);
  - DURABILITY: 5000 CYCLES.
  - OPERATING TEMPERATURE: -40°C TO 85°C
- PACKAGING:TAPE&REEL
- HALOGEN FREE PRODUCT IDENTIFICATION MARK ON HOUSING:
- HALOGEN FREE PRODUCT IDENTIFICATION LABEL ON PACKAGING:
- FOR REFLOW SOLDERING LEAD-FREE PROCESS.
- SOLDERING HEAT RESISTANCE: 260°C 10 SPEC.
- PRINTED DATE CODE "YYMMDD" ON TOP OF CONNECTOR.

DD: DAY  
MM: MONTH  
YY: YEAR



NO	DESCRIPTION	QTY	MATERIAL	PLATING & COLOR
D	COVER	1	HIGH TEMP.THERMOPLASTIC	BLACK
C	CONNECTOR	1	COPPER ALLOY	Gold flash on Solder Tail; Gold flash on Contact Area;
B	CONNECTOR	2	COPPER ALLOY	All over Nickel 50u" plating.
A	BODY	1	HIGH TEMP.THERMOPLASTIC	BLACK

UNLESS OTHERWISE SPECIFIED TOLERANCES		Singatron Enterprise Co., Ltd. 信音企業股份有限公司	
DECIMALS:	ANGLES:	TITLE	
X :±0.5	X :±2°	SPRING CONTACT CO-MOLD	
X.X :±0.3	X.X :±1°	DWN	jttlucky
X.XX :±0.2		CHKD	JAMES
		APVD	BOYE
		SCALE:4:1 UNIT: mm SIZE: A3 SHEET:1 OF 1 <b>REV: A</b>	
<b>CUSTOMER COPY</b>			