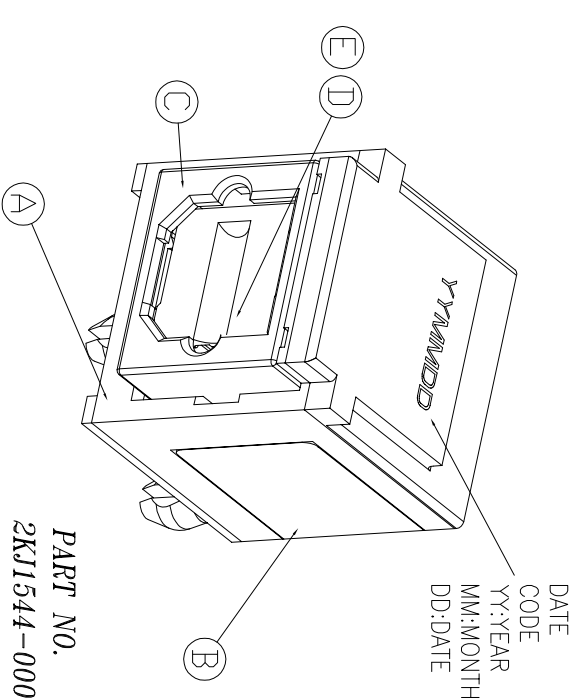


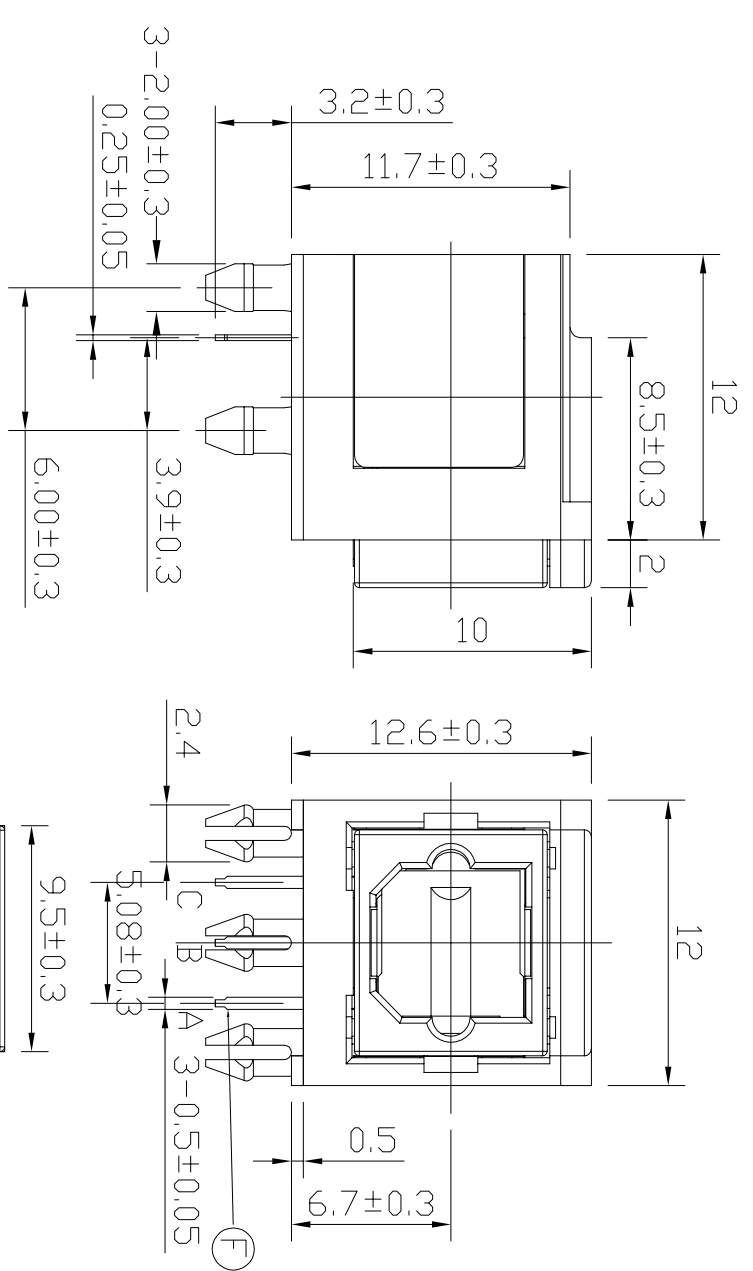
REV	ECN NO OR DESCRIPTION	REVISED	DATE
A	PDR RELEASE	Even	2017.10.24

- SPECIFICATIONS:
1. TO CONFORM TO THE SINGATRON HAZARDOUS SUBSTANCE FREE SPEC.
 2. GREEN PRODUCT IDENTIFICATION LABEL ON PACKAGING: **G.P. PASS**
 3. PACKAGE: SEE "2KJ1544-000111H" PACKAGE.
 4. OTHER GENERAL SPEC. TO REFER "2KJ1544-000111H SPEC"

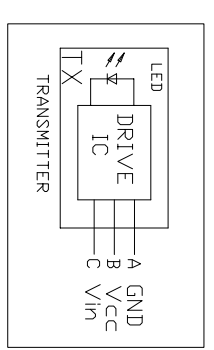
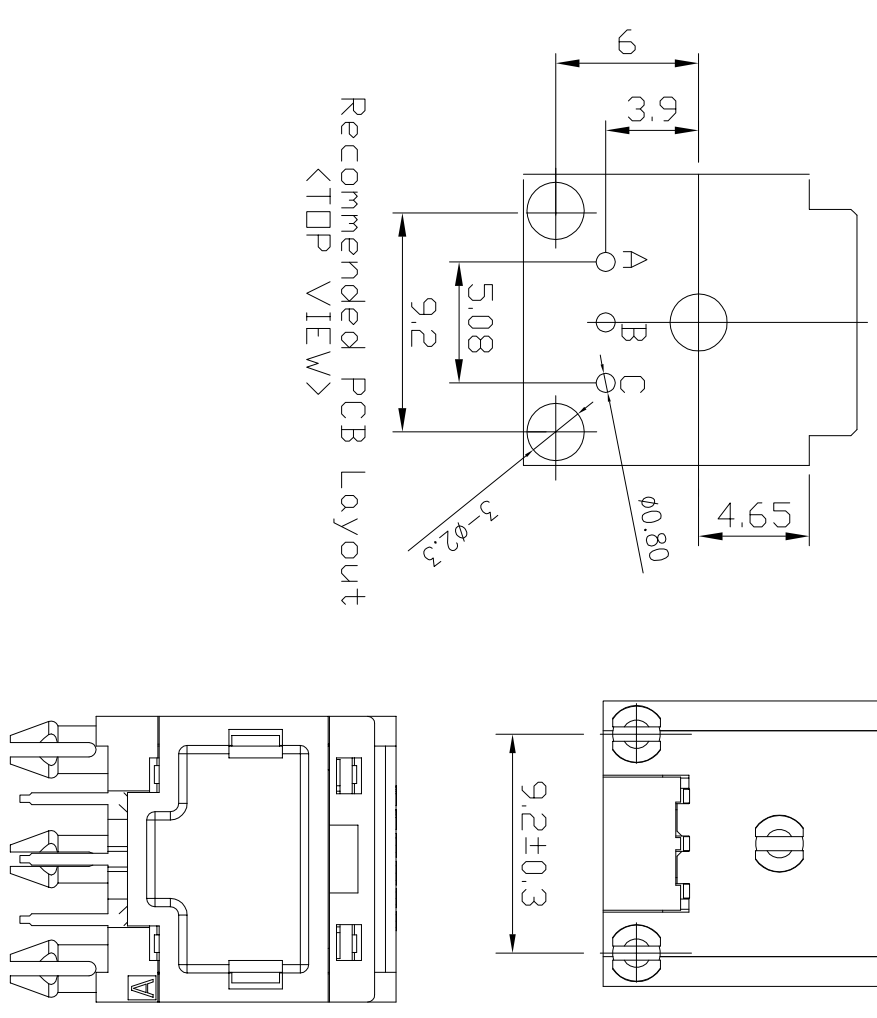


PART NO.
2KJ1544-000111H

SUFFIX: HALOGEN
PACKAGE
1: TRAY
HOUSING COLOR
1: BLACK



Recommended PCB Layout
<TOP VIEW>



F	TX UNIT	1		TIN 100U"MIN,OVER Ag 30U"MIN
E	COIL SPRING	1	SUS 301	
D	GATE	1	PA9T UL 94V-0	BLACK
C	FRAME	1	PA9T UL 94V-0	BLACK
B	COVER	1	PA9T UL 94V-0	BLACK
A	HOUSING	1	PA9T UL 94V-0	BLACK
NO	DESCRIPTION	QTY	MATERIAL	PLATING & COLOR
UNLESS OTHERWISE SPECIFIED TOLERANCES				
Singatron Enterprise Co., Ltd. 信音企業股份有限公司				
TITLE OPTICAL JACK				
DECIMALS:	ANGLES:			
X : ±0.5	X : ±2°			
X.X : ±0.3	X.X : ±1°			
X.XX : ±0.2				
DWN	EN 2017.10.24	PART NO. 2KJ1544-000111H		
CHKD	ANCEA 2017.10.24	SCALE: 2.2/1	UNIT: mm	
APVD	ANCEA 2017.10.24	SIZE: A3	SHEET: 1 OF 1	REV: A
CUSTOMER COPY				