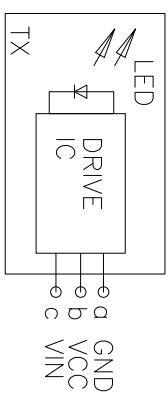
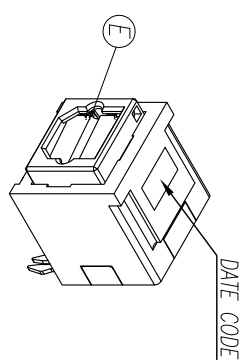
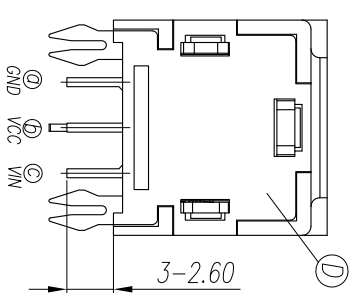
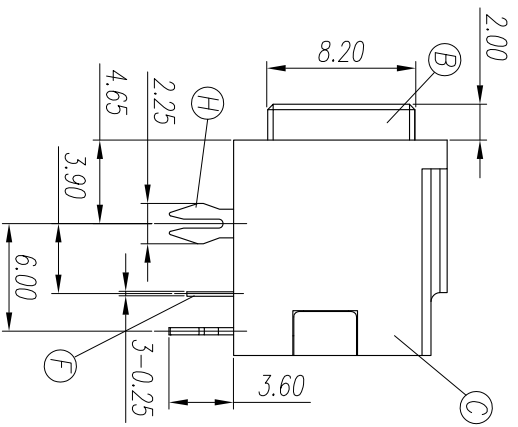
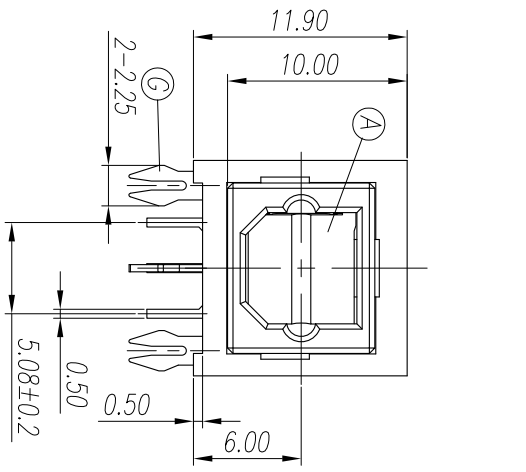
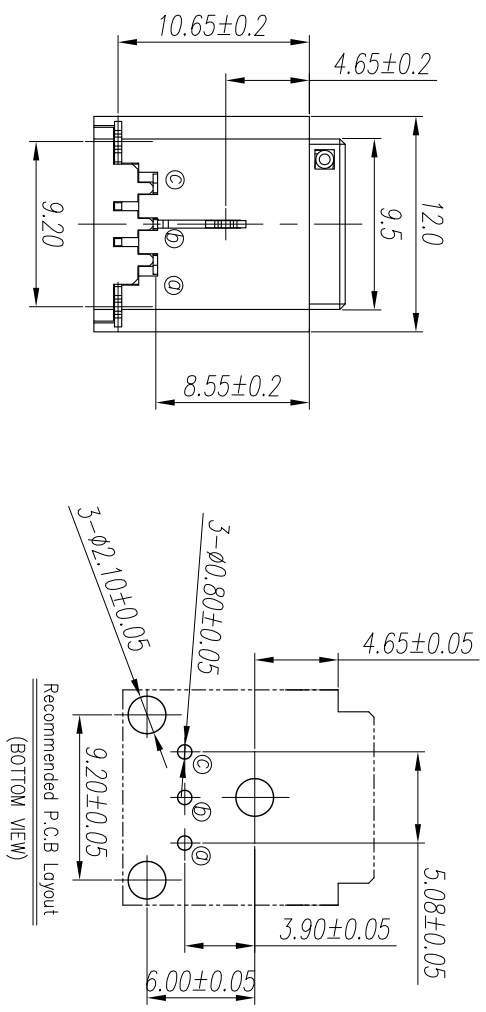


REV.	ECN NO OR DESCRIPTION	REVISED	DATE
A	PRODUCT RELEASE	Duke	2014.04.02



TRANSMITTER

- SPECIFICATIONS:
1. HALOGEN FREE IDENTIFICATION MARK ON JACK: ☉
 2. HALOGEN FREE IDENTIFICATION LABEL ON PACKAGING:
 3. FOR 260°C 10 SEC WAVE SOLDERING LEAD-FREE PROCESS.
 4. TO CONFORM TO SINGATRON HAZARDOUS SUBSTANCE FREE SPEC.
 5. PRINTED DATE CODE "MMYY" ON TOP OF CONNECTOR.
 6. PACKAGING : TUBE.



Recommended P.C.B Layout
(BOTTOM VIEW)

NO	DESCRIPTION	QTY	MATERIAL	PLATING & COLOR
H	HOOK	1	COPPER ALLOY	Ni (60u"Min.) PLATING
G	HOOK	1	COPPER ALLOY	Ni (60u"Min.) PLATING
F	IC DRIVE	1	N/A	N/A
E	SPRING	1	STAINLESS STEEL	N/A
D	BASE	1	TERMOPLASTIC UL94V-0	BLACK
C	HOUSING	1	TERMOPLASTIC UL94V-0	BLACK
B	COVER	1	TERMOPLASTIC UL94V-0	BLACK
A	DOOR	1	TERMOPLASTIC UL94V-0	LIME GREEN
NO	DESCRIPTION	QTY	MATERIAL	PLATING & COLOR

UNLESS OTHERWISE SPECIFIED TOLERANCES

DECIMALS:	ANGLES:	TITLE
X : ±0.5	X : ±2°	DWN Duke
X.X : ±0.3	X.X : ±1°	CHKD
X.XX : ±0.2		APVD

PART NO. 2KJ4001-000011F

Singatron Enterprise Co., Ltd.
信音企業股份有限公司

OPTICAL JACK

SCALE: 1:1

UNIT: mm

SIZE: A3

SHEET: 1 OF 1

REV: A

CUSTOMER COPY