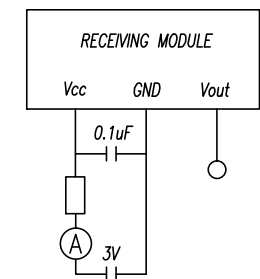
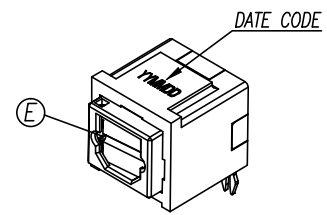
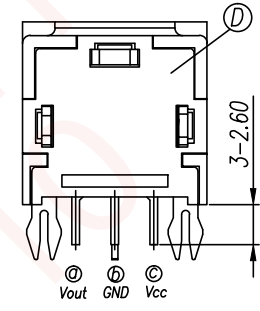
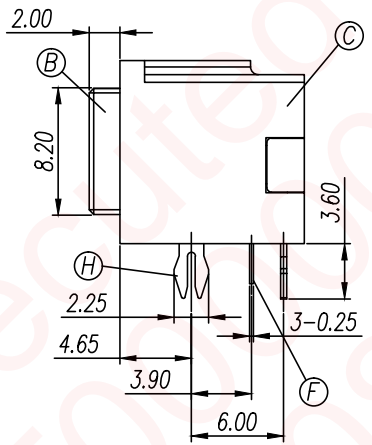
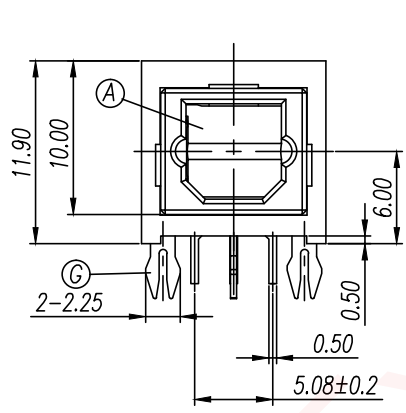
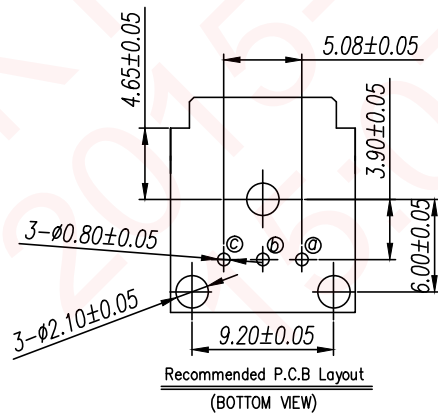
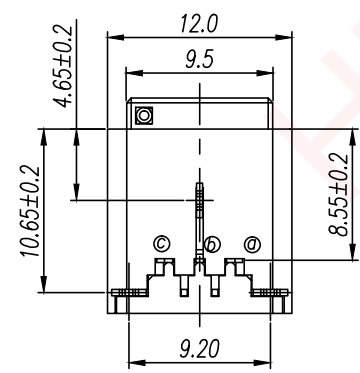


REV.	ECN NO OR DESCRIPTION	REVISED	DATE
A	PRODUCT RELEASE	Duke	2015.08.07



SPECIFICATIONS:

1. HALOGEN FREE IDENTIFICATION MARK ON JACK: Ⓞ
2. HALOGEN FREE IDENTIFICATION LABEL ON PACKAGING: Ⓞ
3. FOR WAVE SOLDERING LEAD-FREE PROCESS.
4. TO CONFORM TO SINGATRON HAZARDOUS SUBSTANCE FREE SPEC.
5. PRINTED DATE CODE "YYMMDD" ON TOP OF CONNECTOR.
6. PACKAGING : TUBE.



NO	DESCRIPTION	QTY	MATERIAL	PLATING & COLOR
H	HOOK	1	COPPER ALLOY	NI (60u"Min.) PLATING
G	HOOK	1	COPPER ALLOY	NI (60u"Min.) PLATING
F	IC DRIVE(RX)	1	N/A	N/A
E	SPRING	1	STAINLESS STEEL	N/A
D	BASE	1	TERMOPLASTIC UL94V-0	BLACK
C	HOUSING	1	TERMOPLASTIC UL94V-0	BLACK
B	COVER	1	TERMOPLASTIC UL94V-0	BLACK
A	DOOR	1	TERMOPLASTIC UL94V-0	LIME GREEN

UNLESS OTHERWISE SPECIFIED TOLERANCES		Singatron Enterprise Co., Ltd. 信音企業股份有限公司	
DECIMALS:	ANGLES:	TITLE	
X :±0.5	X :±2°	DWN Duke	OPTICAL JACK RX
X.X :±0.3	X.X :±1°	CHKD	PART NO. 2KJ4001-000021F
X.XX :±0.2		APVD Acheng	SCALE:1:1 UNIT: mm
		SIZE: A3 SHEET:1 OF 1 REV: A	
CUSTOMER COPY			