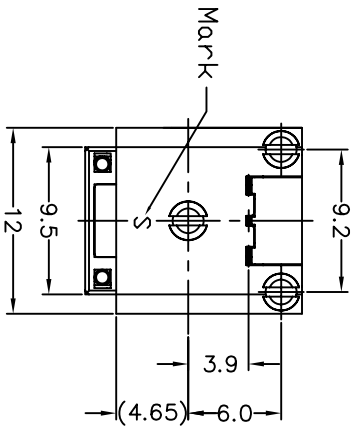
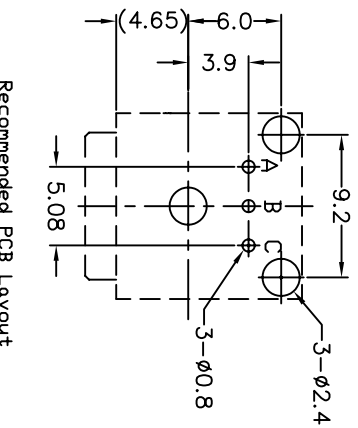
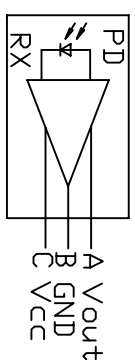
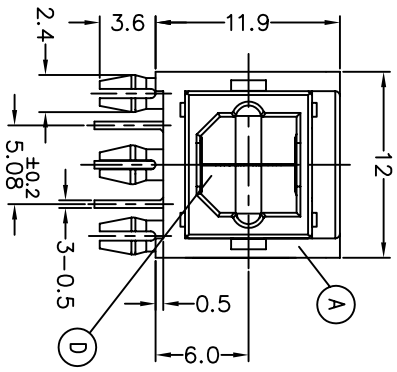
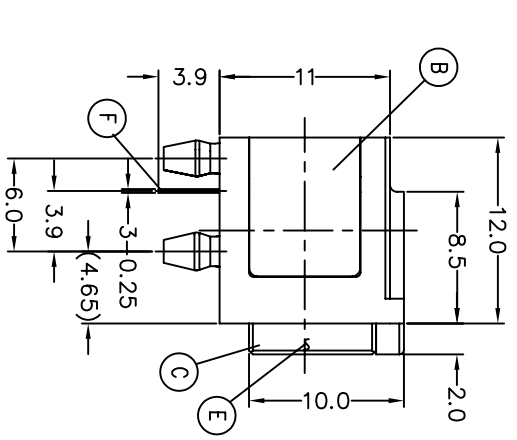
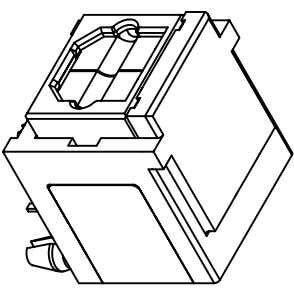


REV.	ECN NO OR DESCRIPTION	REVISED	DATE
B	ECN NO.940223	Beryl	2005.10.5

SPECIFICATIONS:
SEE 20J-010□ SERIES SPECIFICATIONS.



F	RX UNIT	1	COPPER ALLOY 0.25t	TIN PLATING
E	COIL SPRING	2	SUS 301	
D	GATE	2	PA66	PINK COLOR(701G)
C	FRAME	1	PA66	BLACK COLOR
B	COVER	1	PBT UL 94V-0	BLACK COLOR
A	BODY	1	PBT UL 94V-0	BLACK COLOR
NO	DESCRIPTION	QTY	MATERIAL	PLATING & COLOR

UNLESS OTHERWISE SPECIFIED TOLERANCES

DECIMALS: ANGLES:

X : ±0.5 X : ±2
X.X : ±0.3 X.X : ±1°
X.XX : ±0.2

TITLE	OPTICAL JACK	
DWN	REV 2005.10.5	PART NO. 20J-0103-RA1
CHKD	MM 2005.10.7	SCALE:3/1 UNIT: mm
APVD	MM 2005.10.11	SIZE: A3 SHEET:1 OF 1 REV: B

CUSTOMER COPY

Singatron Enterprise Co., Ltd.
信音企業股份有限公司