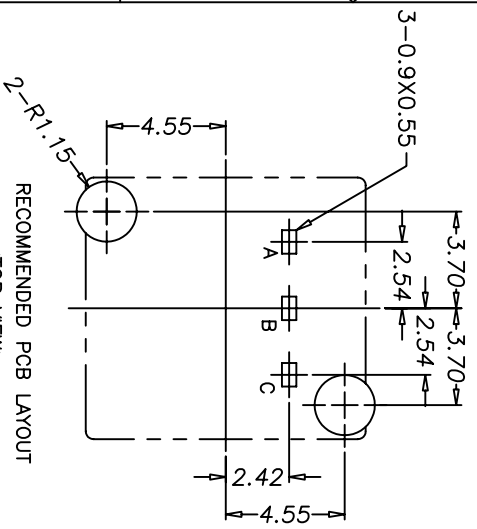
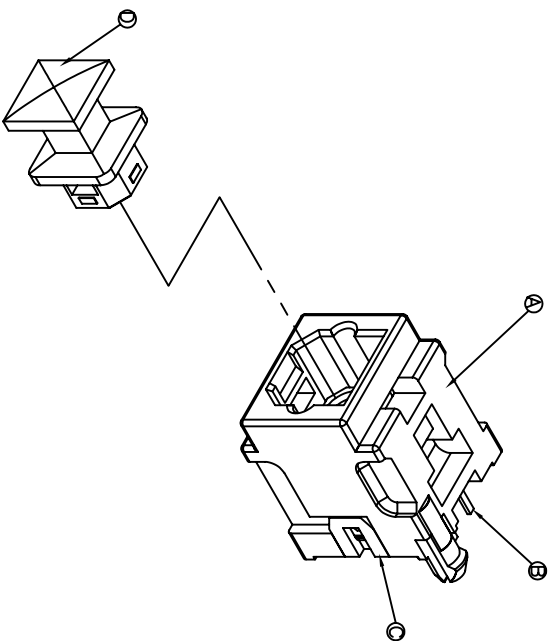
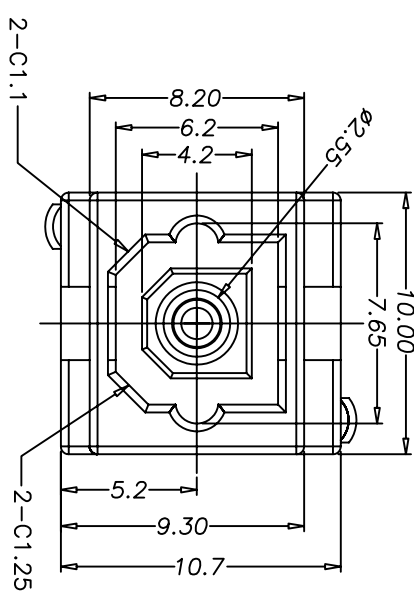
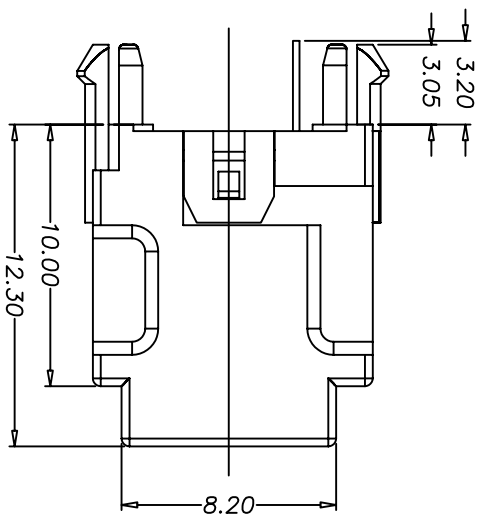
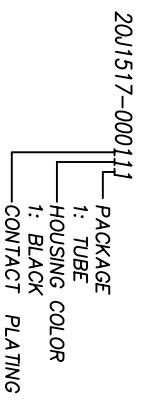
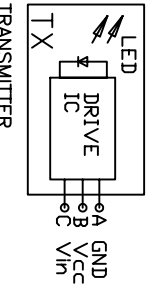
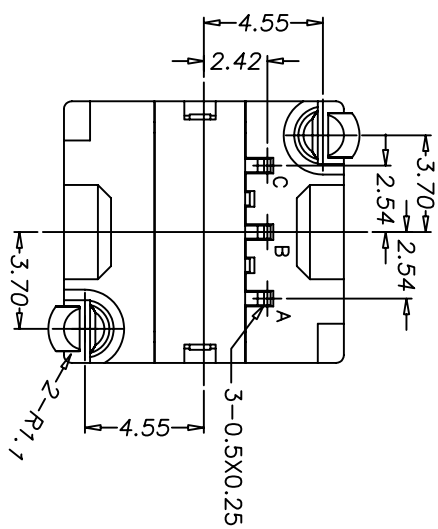


REV.	ECN NO.	OR DESCRIPTION	REVISED	DATE
A		PDR RELEASE	LULU	2007.08.08



NOTE : TOLERANCE FOR PCB LAYOUT IS ± 0.05



- SPECIFICATIONS:
1. SEE "20J1517 SERIES" SPECIFICATION.
 2. GREEN PRODUCT IDENTIFICATION LABEL IN PACKING: **G.P. PASS**
 3. SOLDER HEAT RESISTANCE : 260C 10 SECS.

NO	DESCRIPTION	QTY	MATERIAL	PLATING & COLOR
D	FITTING	1	POM	BLACK COLOR
C	COVER	1	PA9T	BLACK COLOR
B	DRIVE IC(TX UNIT)	1		
A	HOUSING	1	PA66	BLACK COLOR
NO	DESCRIPTION	QTY	MATERIAL	PLATING & COLOR

UNLESS OTHERWISE SPECIFIED TOLERANCES

DECIMALS:	ANGLES:
X : ±0.5	X : ±2°
X.X : ±0.3	X.X : ±1°
X.XX : ±0.2	

UNLESS OTHERWISE SPECIFIED TOLERANCES

TITLE	OPTICAL JACK RECTANGULAR TYPE
DWN	LULU 2007.08
CHKD	WANGSON 2007.08
APVD	WANGSON 2007.08
SCALE	1/1
SIZE	A3
UNIT	mm
SHEET	1 OF 1
REV	A

Singatron Enterprise Co., Ltd.
信晉企業股份有限公司

CUSTOMER COPY