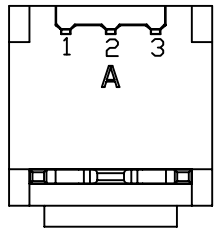
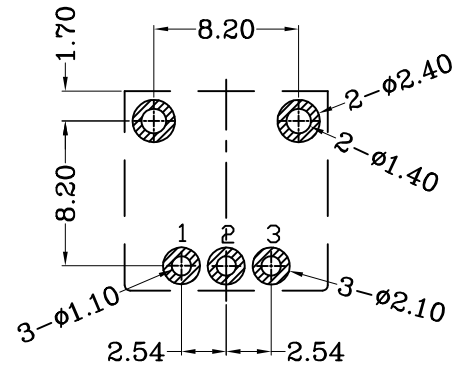
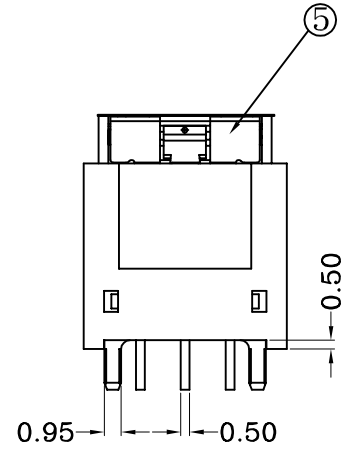
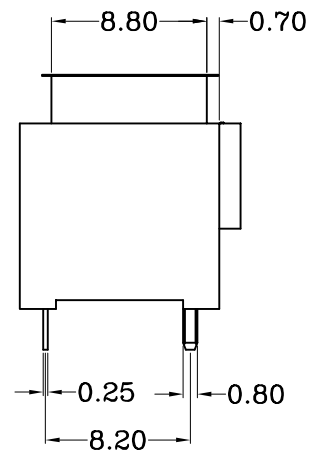
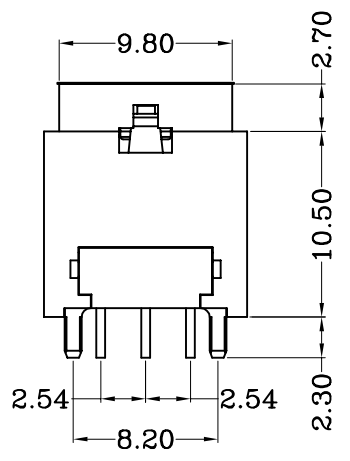
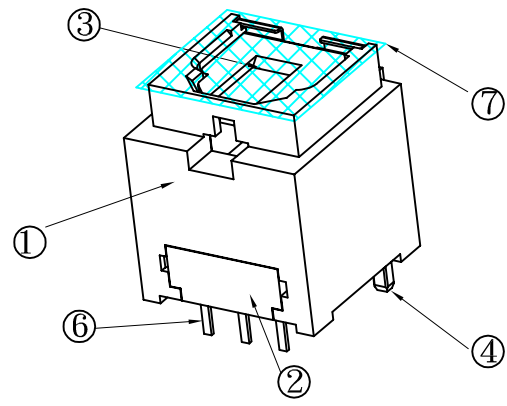
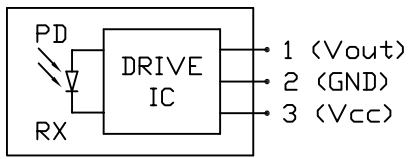
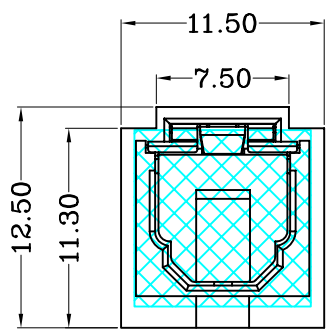


ZONE	SYMBOL	REVISION	APPROVAL	DATE



RECOMMEND PCB LAYOUT (TOP VIEW)
PCB TOLERANCE : ±0.05

ITEM	DESCRIPTIONs	MATERIAL	FINISH	Q'TY	NOTE
⑦	MYLAR (10*10*0.06mm)	—	—	1	—
⑥	DRIVE IC RX 16M	C5191	—	1	Tin 80U"
⑤	SHRAPNEL	SUS 301	—	1	—
④	LOCATING PIN	SPCC	—	1	Matte Tin 100U"
③	GATE	LCP	—	1	BLACK
②	COVER	LCP	—	1	BLACK
①	HOUSING	LCP	—	1	BLACK

Singatron Enterprise Co., Ltd.			
TITLE	SPDIF JACK		
DWN	Chilles 2018/12/27	PART NO.	20J414A-05DBM-RR0
CHKD	Chilles Liu 2018/12/27	SCALE	1:1 UNIT: mm
APVD	Doyley Hs 2018/12/27	SIZE:	A3 SHEET:1 OF 1 REV:
CUSTOMER COPY			

UNLESS OTHERWISE SOECIFIED DIMENSION ARE IN CENTIMETERS TOLERANCE ARE : FRACTION DECIMAL ANGLE			
.X ± 0.3	.X° ± 5°	.XX ± 0.2	.X° ± 3°
XXX ± 0.1			