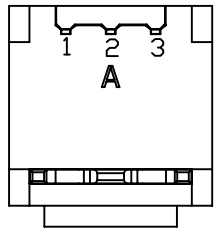
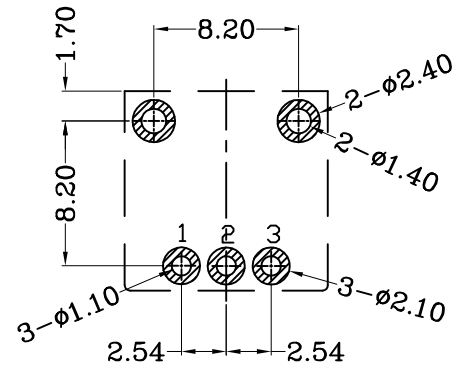
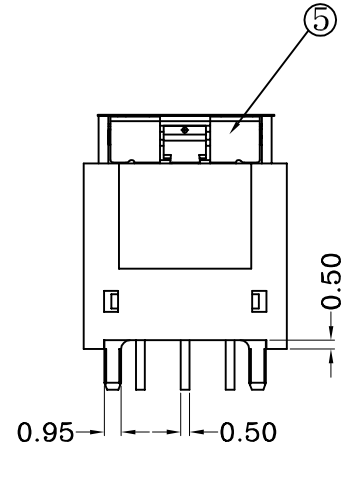
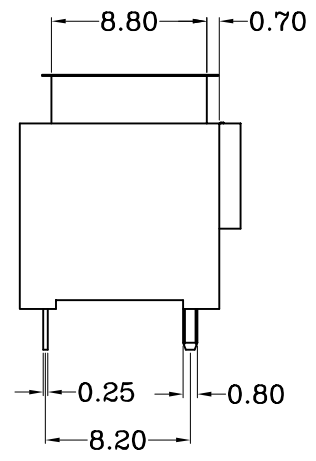
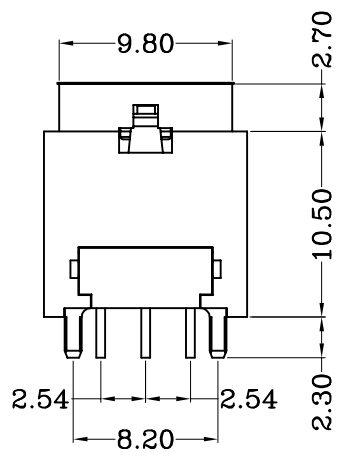
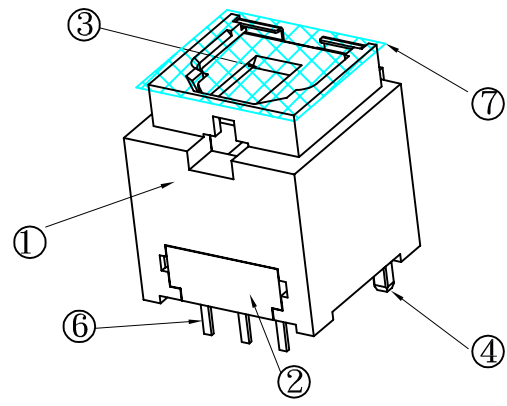
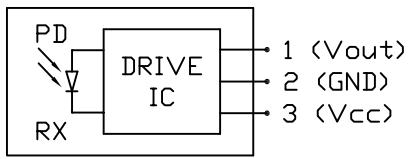
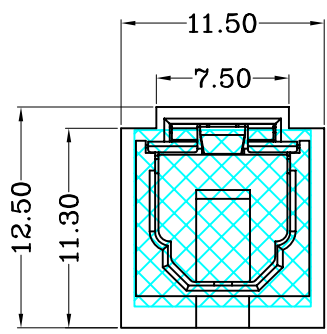


ZONE	SYMBOL	REVISION	APPROVAL	DATE



RECOMMEND PCB LAYOUT (TOP VIEW)
PCB TOLERANCE : ±0.05

ITEM	DESCRIPTIONs	MATERIAL	FINISH	Q' TY	NOTE
⑦	MYLAR (10*10*0.06mm)	—	—	1	—
⑥	DRIVE IC RX 25M	C5191	—	1	Tin 80U*
⑤	SHRAPNEL	SUS 301	—	1	—
④	LOCATING PIN	SPCC	—	1	Motte Tin 100U*
③	GATE	LCP	—	1	BLACK
②	COVER	LCP	—	1	BLACK
①	HOUSING	LCP	—	1	BLACK

Singatron Enterprise Co., Ltd.

TITLE	SPDIF JACK			
DWN	Chilles 2018/12/27	PART NO.	20J414A-05DBM-RR1	
CHKD	Chilles Liu 2018/12/27	SCALE	1:1	UNIT: mm
APVD	Doiven Hs 2018/12/27	SIZE:	A3	SHEET:1 OF 1 REV:

UNLESS OTHERWISE SOECIFIED
DIMENSION ARE IN CENTIMETERS
TOLERANCE ARE :
FRACTION DECIMAL ANGLE

.X ± 0.3	X° ± 5°
.XX ± 0.2	.X° ± 3°
XXX ± 0.1	

CUSTOMER COPY