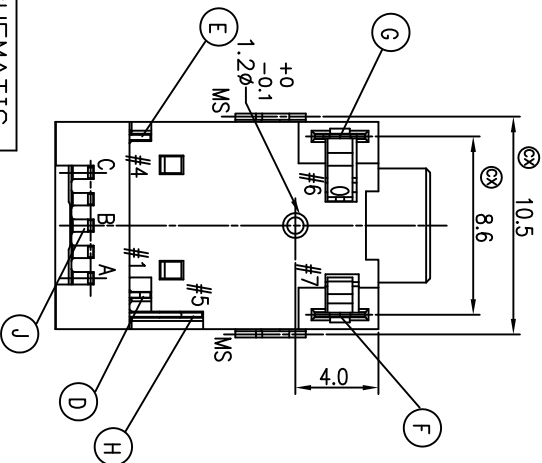
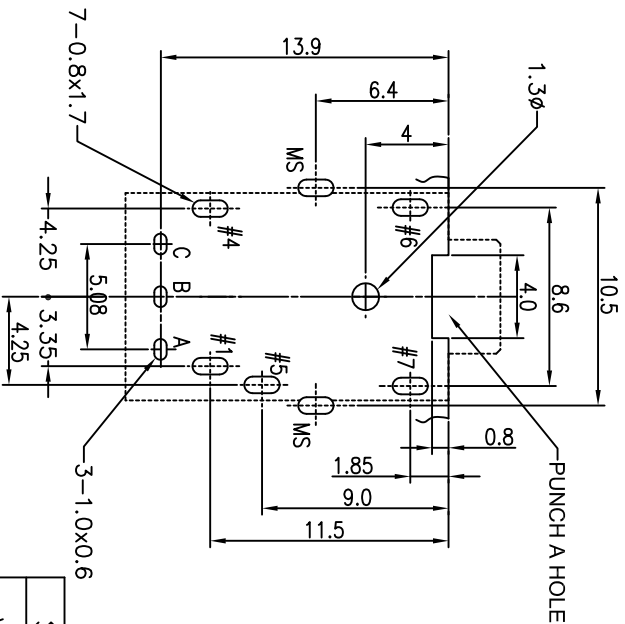
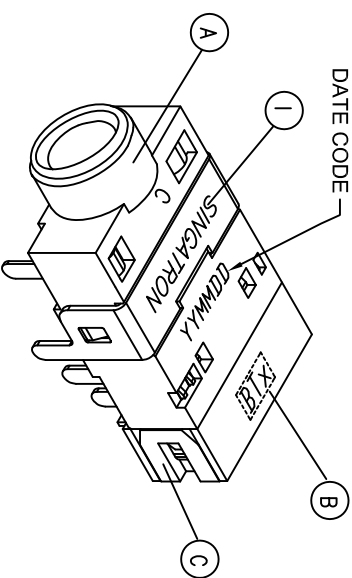
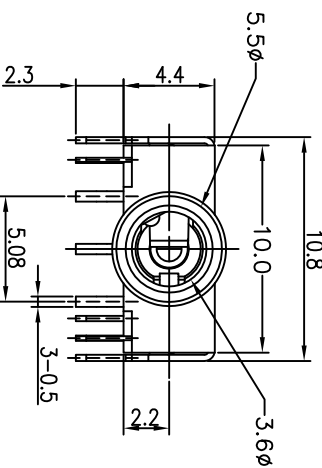
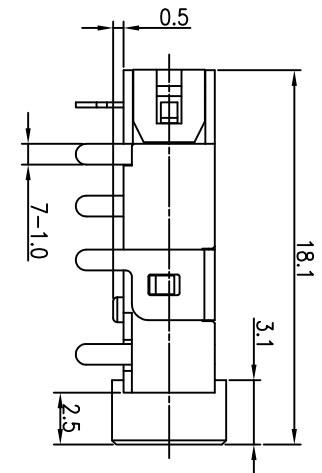
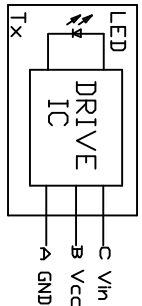
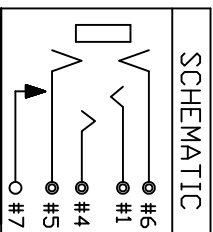


REV.	ECN NO OR DESCRIPTION	REVISED	DATE
E	ECN NO: 940248, REMOVE ONE POST	ROY	2005.11.01
F	ECN NO: T070223	BERYL	2007.7.31
G	ECN NO: S100108 添修 板	Allen	2010.03.18

- SPECIFICATIONS:
- ELECTRICAL CHARACTERISTICS:
    - RATING: 12V 1A
    - CONTACT RESISTANCE: 30mΩMAX(BEFORE)
    - DIELECTRIC VOLTAGE WITHSTAND: 500V AC FOR ONE MINUTE
    - INSULATION RESISTANCE: 100MΩMIN. MEASURED BY 500 VDC
  - MECHANICAL CHARACTERISTICS:
    - INSERTED FORCE : 3.5 KGS MAX.
    - WITHDRAWAL FORCE : 0.3~4.0 KGS
  - LIFE TEST: 5,000 CYCLES MIN.
  - PACKING: TAPE & REEL
  - TO CONFORM TO THE "SE-01-001" & "ROHS DIRECTIVE"
  - HALOGEN FREE PRODUCT IDENTIFICATION MARK ON PRODUCT:
  - FOR WAVE SOLDERING LEAD-FREE PROCESS.
  - SOLDER HEAT RESISTANCE: WAVE SOLDERING 260°C 10SECS.



RECOMMENDED PCB LAYOUT  
SOLDER SIDE  
(TOLERANCE: ±0.05)



J	IC DRIVE	1	EPOXY/CDA-C19400	S <sub>n</sub> 120U" Ni. 50U"
I	SHIELDING	1	BRASS 0.3t	TIN PLATING 100u" ON SOLDER TAIL ALL OVER NICKEL PLATING.
H	EARTH TERMINAL	1	PHOSPHOR BRONZE 0.2t	GOLD FLASH
G	EARTH SPRING-B	1	PHOSPHOR BRONZE 0.2t	GOLD FLASH
F	EARTH SPRING-A	1	PHOSPHOR BRONZE 0.25t	GOLD FLASH
E	TIP SPRING	1	PHOSPHOR BRONZE 0.25t	GOLD FLASH
D	RING SPRING	1	PHOSPHOR BRONZE 0.25t	GOLD FLASH
C	COVER	1	HIGH TEMP.THERMOPLASTIC UL 94V-0	BLACK COLOR
B	CASE	1	HIGH TEMP.THERMOPLASTIC UL 94V-0	BLACK COLOR
A	BODY	1	HIGH TEMP.THERMOPLASTIC UL 94V-0	GREEN COLOR (PANTONE NO. 577C)
NO	DESCRIPTION	QTY	MATERIAL	PLATING & COLOR

UNLESS OTHERWISE  
SPECIFIED TOLERANCES

Singatron Enterprise Co., Ltd.  
信登企業股份有限公司

DECIMALS:	ANGLES:
X : ±0.5	X : ±2°
X.X : ±0.3	X.X : ±1°
X.XX : ±0.2	

TITLE	3.5φ PHONE JACK
DWG	Rev 2010.03.18 PART NO.: 251-A373-002
CHKD	Issued 2010.03.18 SCALE: 4/1 UNIT: mm
APVD	Draw 2010.03.18 SIZE: A3 SHEET: 1 OF 1 REV: G

CUSTOMER COPY