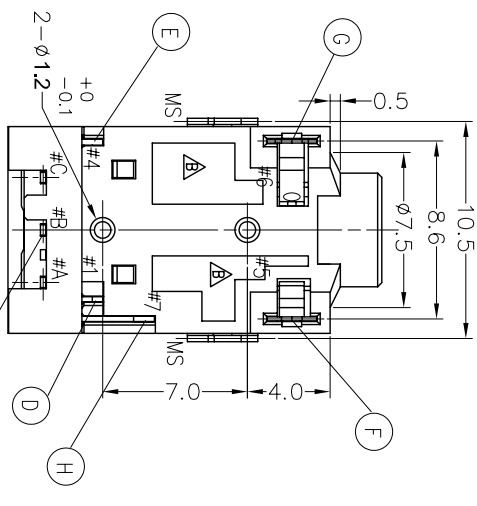
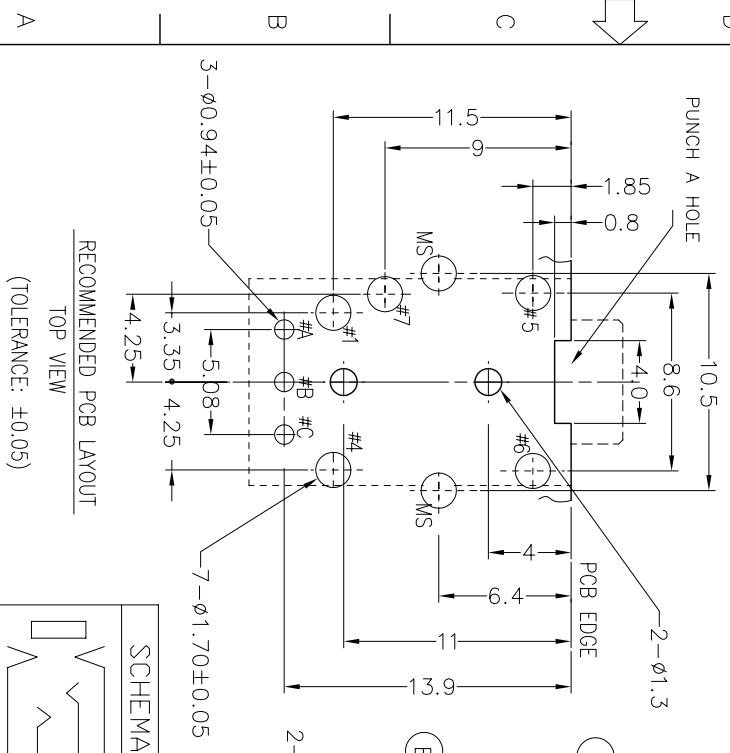
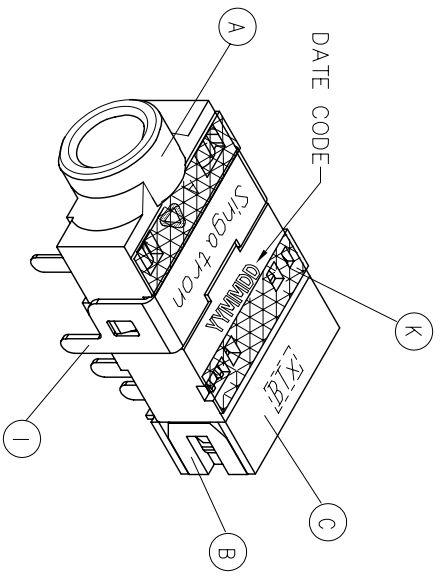
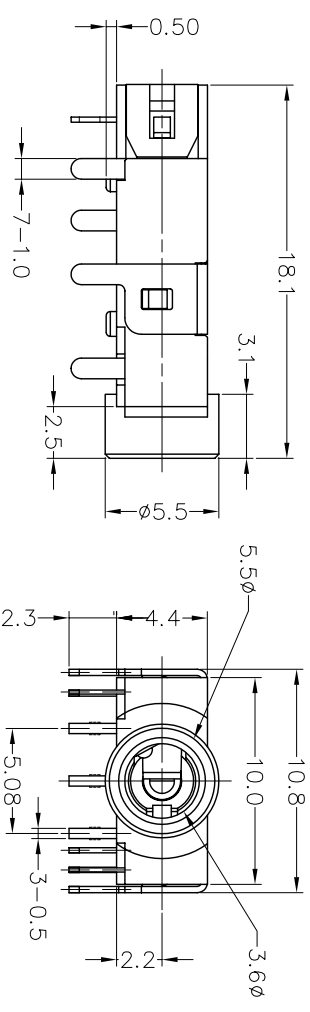
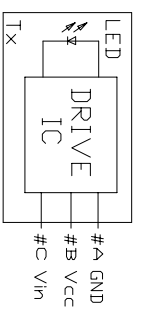
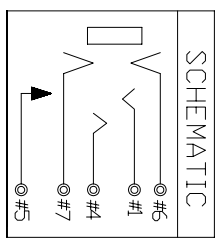


- SPECIFICATIONS:**
- ELECTRICAL CHARACTERISTICS:**
    - 1-1. RATING: 12V 1A
    - 1-2. CONTACT RESISTANCE: 30mΩMAX(BEFORE).
    - 1-3. DIELECTRIC VOLTAGE WITHSTAND: 500V AC FOR ONE MINUTE
    - 1-4. INSULATION RESISTANCE: 100MΩMIN. MEASURED BY 500 VDC
  - MECHANICAL CHARACTERISTICS:**
    - 2-1. INSERTED FORCE : 3.5 KG MAX.
    - 2-2. WITHDRAWAL FORCE : 0.3~4.0 KG.

3. LIFE TEST: 5,000 CYCLES MIN.
4. PACKAGING: TAPE & REEL
5. TO CONFORM TO SINGATRON HAZARDOUS SUBSTANCE FREE SPEC.
6. GREEN PRODUCT IDENTIFICATION MARK ON JACK:
7. GREEN PRODUCT IDENTIFICATION LABEL ON PACKAGING: **G.P. PASS**
8. FOR LEAD-FREE PROCESS.



RECOMMENDED PCB LAYOUT  
TOP VIEW  
(TOLERANCE: ±0.05)



REV.	ECN NO.	OR DESCRIPTION	REVISED	DATE
A	PDR NO.1071226-2A		Sky	2008.01.21
B	ECN NO.S080608		Sky	2008.07.04

K	MYLAR FILM	1	N/A	N/A
J	IC DRIVE	1	EPOXY/CD-A-C19400	Sn 120u", Ni50u"
I	SHIELDING	1	COPPER ALLOY, 0.3t	60u" Sn ON SOLDER TAIL; Ni UNDERPLATING 50u"
H	EARTH SPRING-A	1	PHOSPHOR BRONZE, 0.25t	GOLD FLASH; OVER ALL 50u" Ni
G	EARTH SPRING-B	1	PHOSPHOR BRONZE, 0.2t	GOLD FLASH; OVER ALL 50u" Ni
F	EARTH TERMINAL	1	PHOSPHOR BRONZE, 0.2t	GOLD FLASH; OVER ALL 50u" Ni
E	TIP SPRING	1	PHOSPHOR BRONZE, 0.25t	GOLD FLASH; OVER ALL 50u" Ni
D	RING SPRING	1	PHOSPHOR BRONZE, 0.25t	GOLD FLASH; OVER ALL 50u" Ni
C	CASE	1	HIGH TEMP.THERMOPLASTIC;UL94 V-0	BLACK COLOR
B	COVER	1	HIGH TEMP.THERMOPLASTIC;UL94 V-0	BLACK COLOR
A	BODY	1	HIGH TEMP.THERMOPLASTIC;UL94 V-0	BLACK COLOR
NO	DESCRIPTION	QTY	MATERIAL	PLATING & COLOR

UNLESS OTHERWISE SPECIFIED TOLERANCES

DECIMALS:	ANGLES:
X :±0.5	X :±2°
X.X :±0.3	X.X :±1°
X.XX :±0.2	

Singatron Enterprise Co., Ltd.  
信營企業股份有限公司

TITLE: 3.5ø PHONE JACK (WITH IC)

DWN: Sky 2008.07.04 PRT NO. 2SJ-A373-008

CHKD: Sky 2008.07.16 SCALE: 4:1 UNIT: mm

APVD: Sky 2008.07.16 SIZE: A3 SHEET: 1 OF 1 REV: B

CUSTOMER COPY