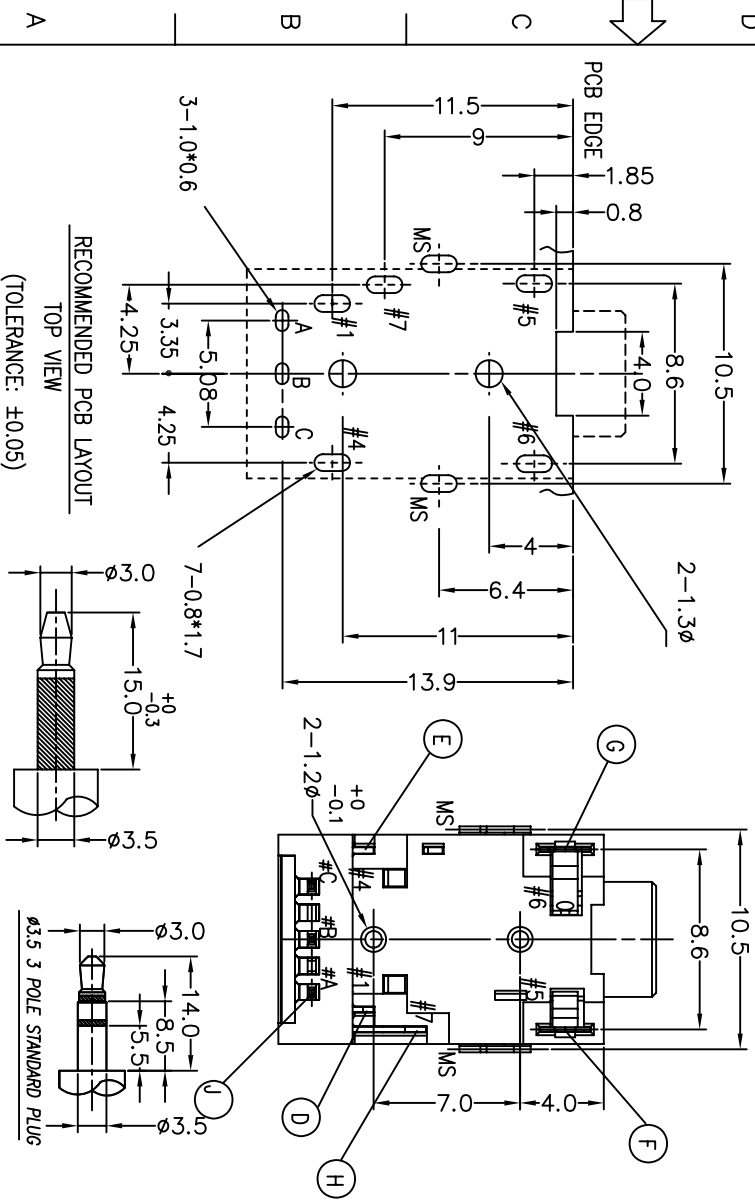
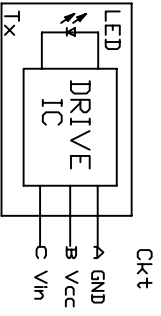
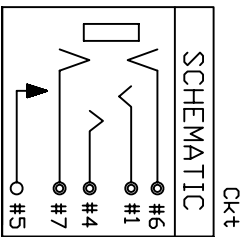
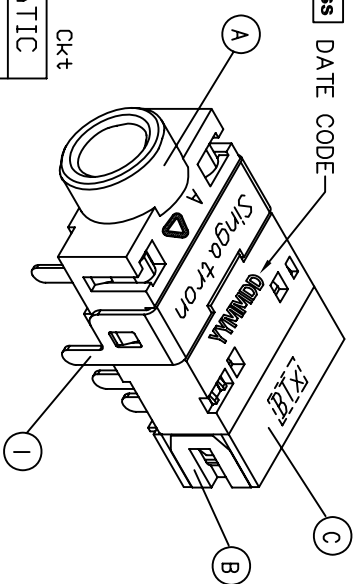
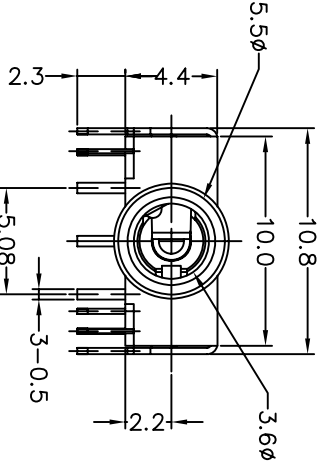
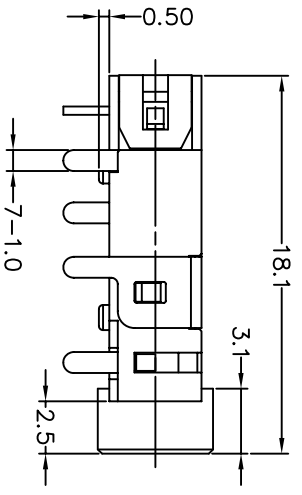


1 SPECIFICATIONS:

1. ELECTRICAL CHARACTERISTICS:
- 1-1. RATING: 12V 1A
 - 1-2. CONTACT RESISTANCE: 30mΩ MAX(INITIAL)
 - 1-3. DIELECTRIC VOLTAGE WITHSTAND: 500V AC FOR ONE MINUTE
 - 1-4. INSULATION RESISTANCE: 100MΩ MIN. MEASURED BY 500 VDC
2. MECHANICAL CHARACTERISTICS:
- 2-1. INSERTED FORCE : 3.5 KGS MAX.
 - 2-2. WITHDRAWAL FORCE : 0.3~4.0 KGS

- 3. LIFE TEST: 5,000 CYCLES MIN.
- 4. PACKING: TAPE & REEL
- 5. TO CONFORM TO SINGATRON HAZARDOUS SUBSTANCE FREE SPEC.
- 6. GREEN PRODUCT IDENTIFICATION MARK ON JACK:
- 7. GREEN PRODUCT IDENTIFICATION LABEL ON PACKAGING:
- 8. FOR LEAD-FREE PROCESS.



RECOMMENDED PCB LAYOUT
TOP VIEW
(TOLERANCE: ±0.05)

OPTICAL FIBER PLUG

RECOMMEND MATING PLUG
1:2 SCALE

REV.	ECN NO OR DESCRIPTION	REVISED	DATE
A	PDR NO.1090625-3A	ANGEL	2009.07.20

J	IC DRIVE	1	EPXY	Sn (Lead-Free)
I	SHIELDING	1	BRASS 0.3t	TIN PLATING 60u" ON SOLDER TAIL. ALL OVER NICKEL PLATING.
H	EARTH TERMINAL	1	PHOSPHOR BRONZE	GOLD FLASH; OVER 50u" NI
G	EARTH SPRING-B	1	PHOSPHOR BRONZE	GOLD FLASH; OVER 50u" NI
F	EARTH SPRING-A	1	PHOSPHOR BRONZE	GOLD FLASH; OVER 50u" NI
E	TIP SPRING	1	PHOSPHOR BRONZE	GOLD FLASH; OVER 50u" NI
D	RING SPRING	1	PHOSPHOR BRONZE	GOLD FLASH; OVER 50u" NI
C	CASE	1	HIGH TEMP. THERMOPLASTIC UL 94V-0	BLACK
B	COVER	1	HIGH TEMP. THERMOPLASTIC UL 94V-0	BLACK
A	BODY	1	HIGH TEMP. THERMOPLASTIC UL 94V-0	LIME
NO	DESCRIPTION	QTY	MATERIAL	PLATING & COLOR

UNLESS OTHERWISE SPECIFIED TOLERANCES

DECIMALS: ANGLES: TITLE

±0.5 X ±.2°

X.X ±0.3 X.X ±.1°

X.XX ±0.2 X.XX ±.1°

Singatron Enterprise Co., Ltd.
信音企業股份有限公司

3.5φ PHONE JACK (WITH IC)

DWN 2009.07.20 PART NO. 2SJ-A373-010

CHKD JUSSEN 2009.07.20 SCALE: UNIT: mm

APVD WJ 2009.07.20 SIZE: A3 SHEET: OF REV: A

CUSTOMER COPY