
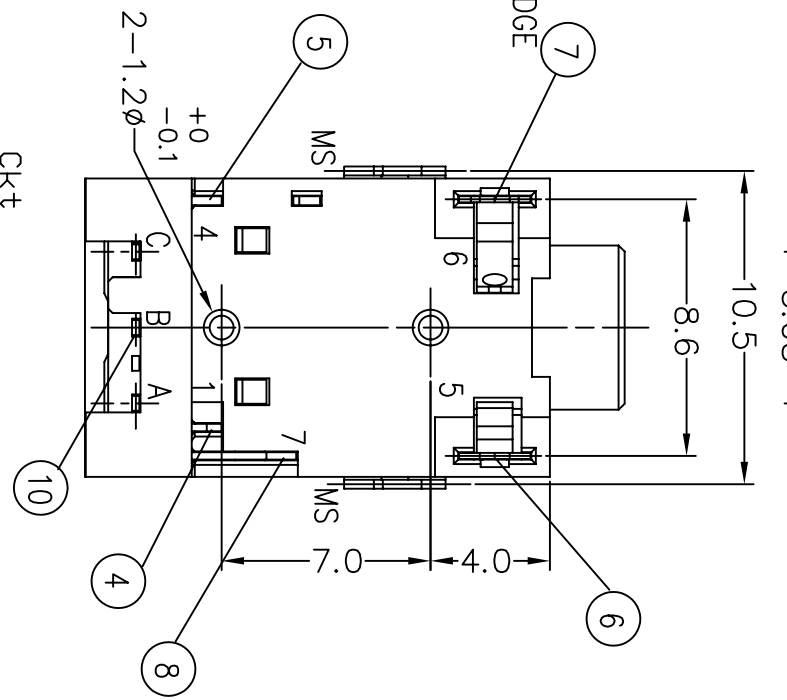
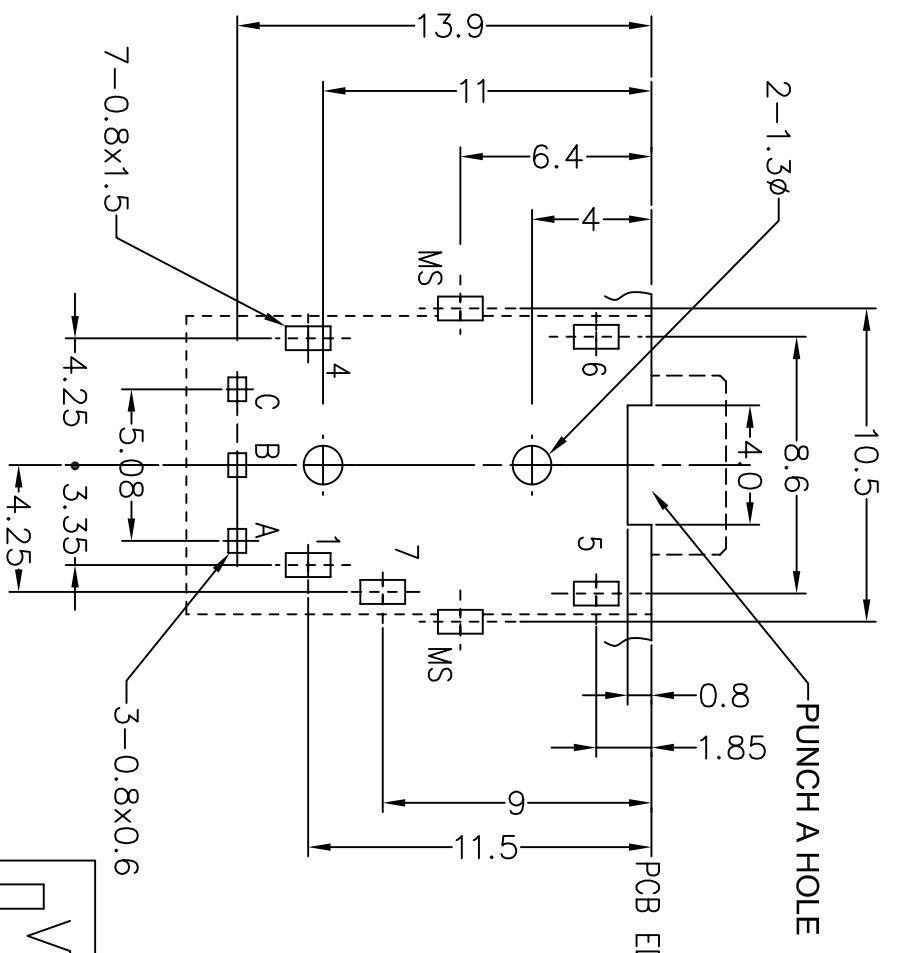
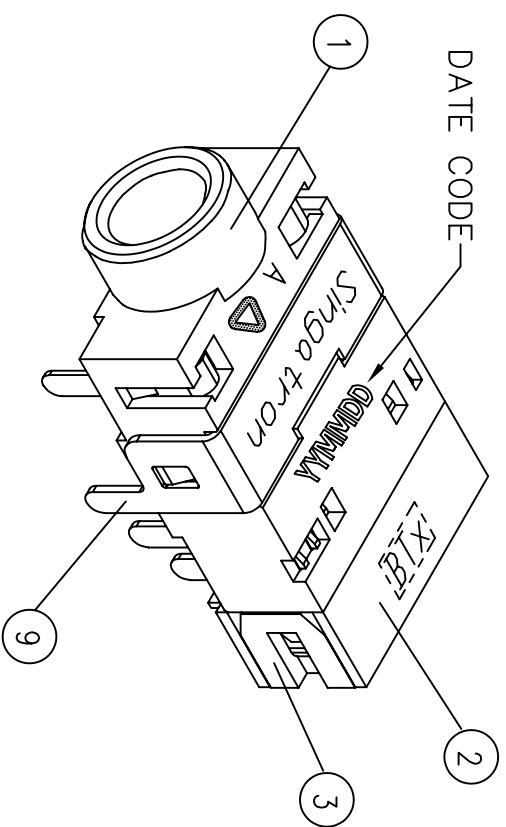
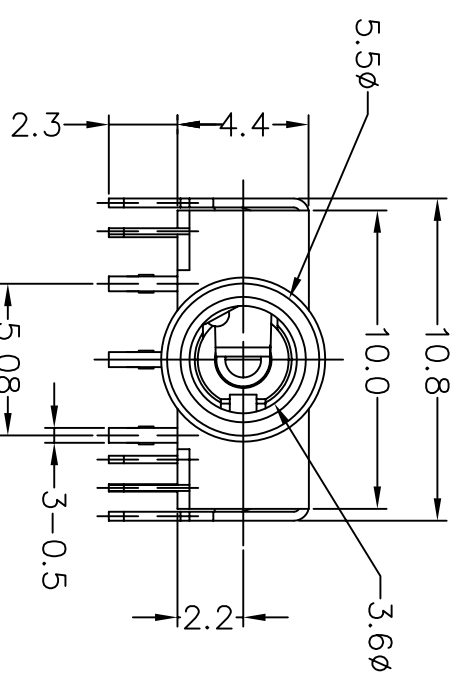
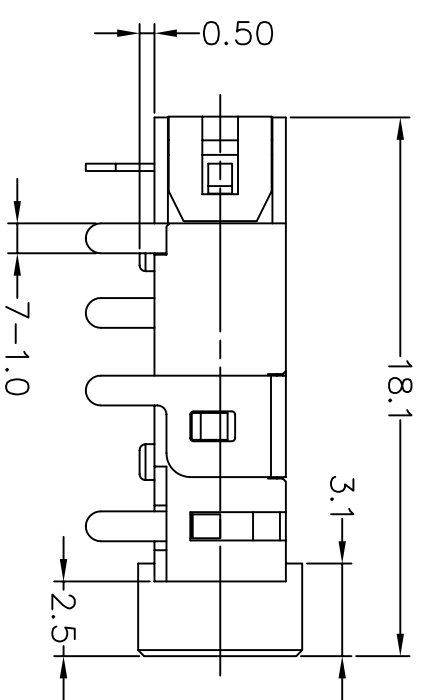
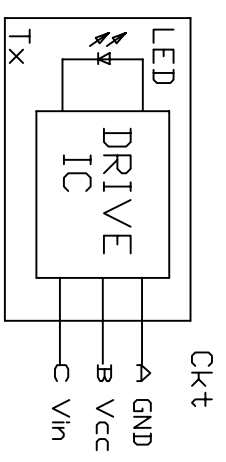
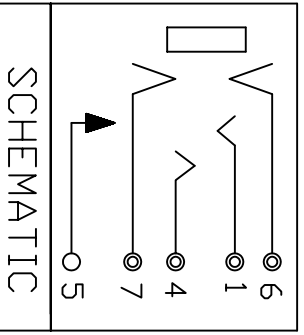



**SPECIFICATIONS:**

1. ELECTRICAL CHARACTERISTICS:
  - 1-1. RATING: 12V 1A
  - 1-2. CONTACT RESISTANCE: 30mΩ MAX (BEFORE)
  - 1-3. DIELECTRIC VOLTAGE WITHSTAND: 500V AC FOR ONE MINUTE
  - 1-4. INSULATION RESISTANCE: 100MΩ MIN. MEASURED BY 500 VDC
2. MECHANICAL CHARACTERISTICS:
  - 2-1. INSERTED FORCE : 3.5 KGS MAX.
  - 2-2. WITHDRAWAL FORCE : 0.3~4.0 KGS
3. LIFE TEST: 5,000 CYCLES MIN.
4. PACKING: TAPE & REEL
5. TO CONFORM TO THE "SE-01-001" & "ROHS DIRECTIVE"
6. GREEN PRODUCT IDENTIFICATION MARK IN JACK: 
7. GREEN PRODUCT IDENTIFICATION LABEL IN PACKING: **G.P. PASS**
8. FOR LEAD-FREE PROCESS.



RECOMMENDED PCB LAYOUT  
SOLDER SIDE  
(TOLERANCE: ±0.05)



⑩	IC DRIVE	1	EPOXY	Sn (Lead-Free)
⑨	SHIELDING	1	BRASS 0.3t	TIN PLATING 60μ" ON SOLDER TAIL, ALL OVER NICKEL PLATING.
⑧	EARTH SPRING-A	1	PHOSPHOR BRONZE	GOLD FLASH
⑦	EARTH SPRING-B	1	PHOSPHOR BRONZE	GOLD FLASH
⑥	EARTH TERMINAL	1	PHOSPHOR BRONZE	GOLD FLASH
⑤	TIP SPRING	1	PHOSPHOR BRONZE	GOLD FLASH
④	RING SPRING	1	PHOSPHOR BRONZE	GOLD FLASH
③	COVER	1	HIGH TEMP. THERMOPLSTIC UL 94V-0	BLACK COLOR
②	CASE	1	HIGH TEMP. THERMOPLSTIC UL 94V-0	BLACK COLOR
①	BODY	1	HIGH TEMP. THERMOPLSTIC UL 94V-0	BLACK COLOR
NO	DESCRIPTION	QTY	MATERIAL	PLATING & COLOR
UNLESS OTHERWISE SPECIFIED TOLERANCES				
DECIMALS: ANGLES:				
X	:±0.5	X	:±2°	
X.X	:±0.3	X.X	:±1'	
X.XX	:±0.2			
 Singatron Enterprise Co., Ltd. 信音企業股份有限公司				
TITLE: 3.5φ PHONE JACK (WITH IC)				
DWN	ROY 2005.6.20	PART NO. 2SJ-A373-201		
CHKD	KAN 2005.6.20	SCALE:	UNIT: mm	
APVD	KAN 2005.6.21	SIZE: A3	SHEET: OF	REV: C
CUSTOMER COPY				